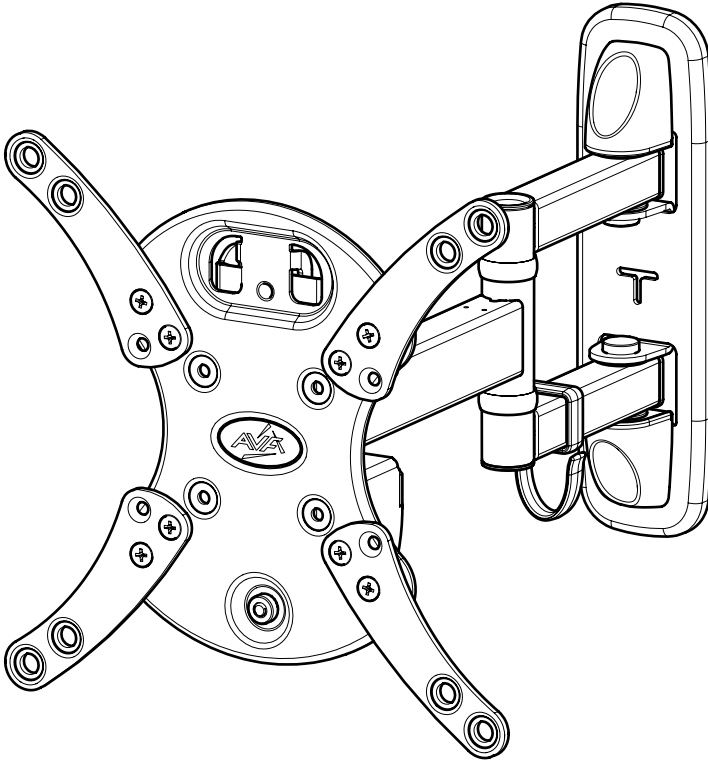


[www.avfgroup.com](http://www.avfgroup.com)



469102 rev00



25kg  
55lbs



Read through **ALL** instructions before commencing installation.

If you have any questions about this product or issues with installation, contact the customer services helpline before returning this product to the store.

Installation video guide and TV Height  
Calculator tool at [myTVMount.com](http://myTVMount.com)

UK-based support team:

**0333 320 0463**

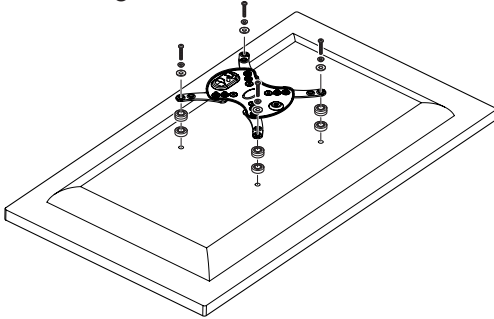
Phone lines open Mon-Fri during AVF office hours



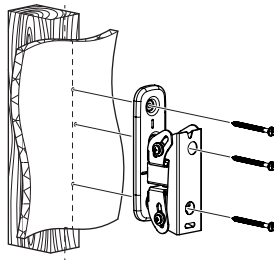
[myTVMount.com](http://myTVMount.com)

## Assembly Overview

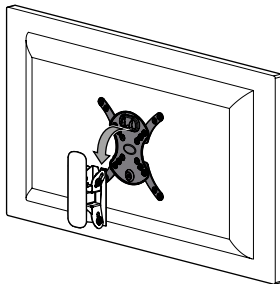
### Fit the TV Mounting Plate



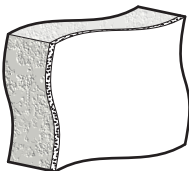
### Fit the Wall Bracket



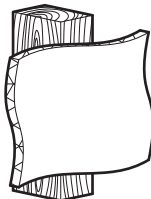
### Hang the TV



## Suitable Wall Types



Solid Wall



Wood Stud

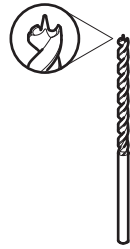
## Tools Recommended



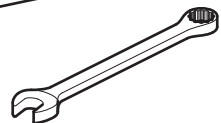
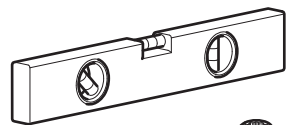
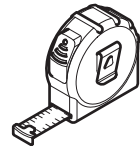
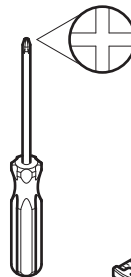
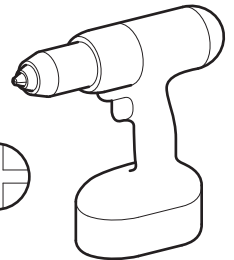
Stud Finder



Ø10mm (25/64")  
Masonry



Ø3mm (1/8")  
Wood



## Index

**1** Measure the TV fixing holes Width and Height

**2** Preparing the TV Mounting Plate

**3** Fitting the TV Mounting Plate

**4** Fitting the Wall Bracket

**5** Fitting the Wall Bracket Covers

**6** Hanging the TV

**7** Fitting the Cable Management

**8** Tilt Adjustment

**9** TV Levelling

Retain all packaging in case the product needs to be returned.

Contents may vary from photography / illustrations.

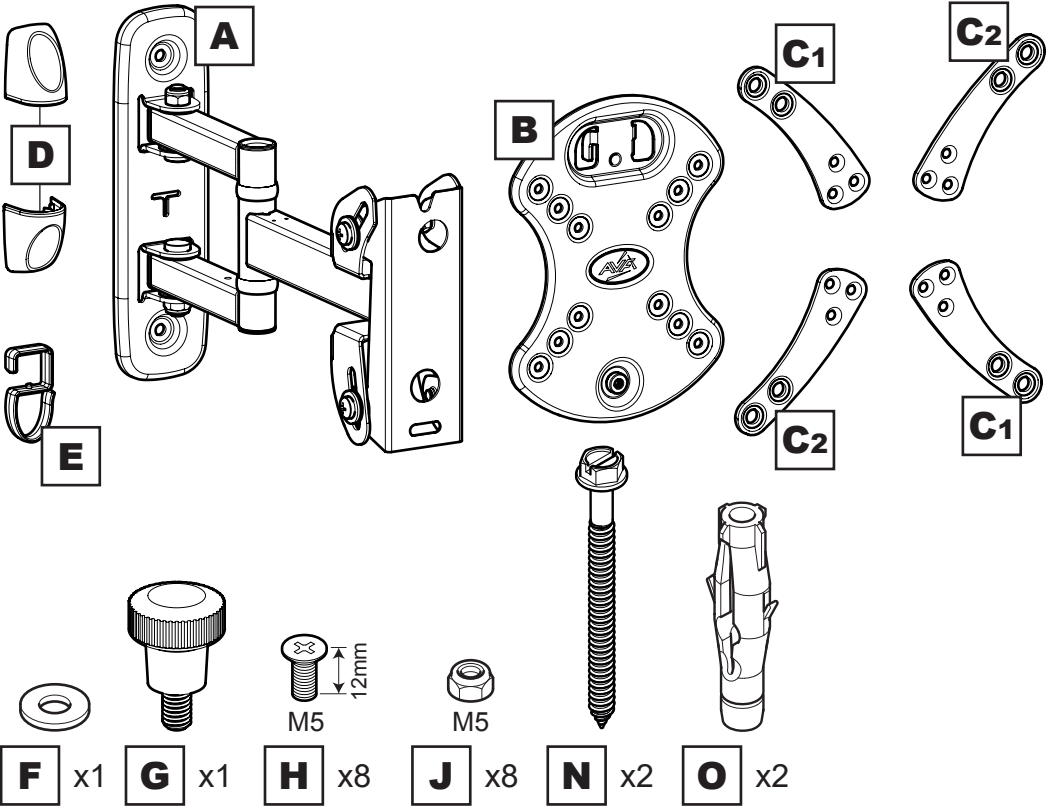
You will not need all these parts, so expect there to be some left over depending upon the specification of your TV.

This product is intended for indoor use only. Use of this product outdoors could lead to failure and personal injury.

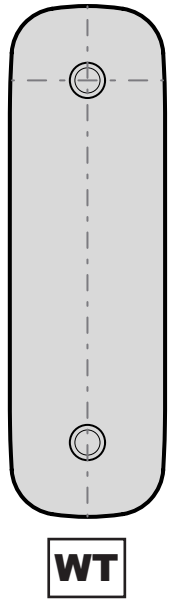
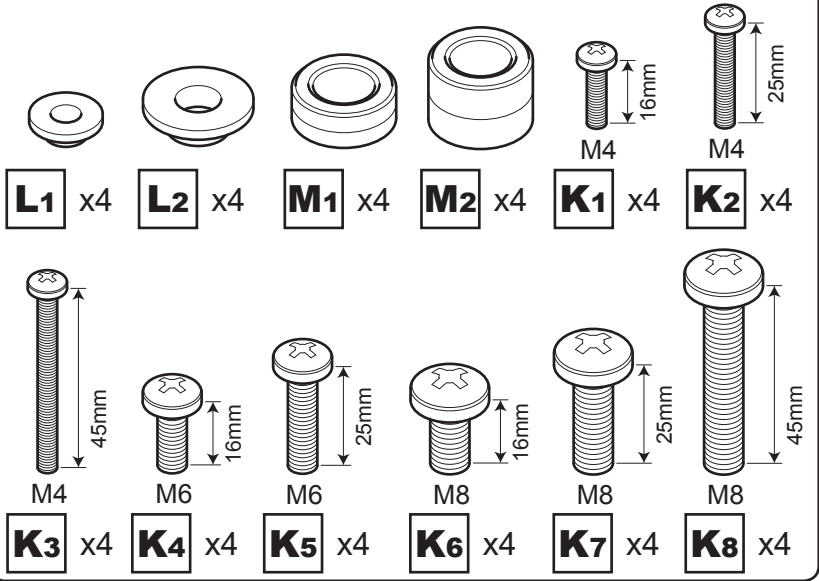
It is the responsibility of the installer to ensure that the mounting wall is of a suitable standard and void of any services (eg gas, electricity, water etc).

AVF accept no responsibility for any damage or loss caused by installing this product in a substandard wall.

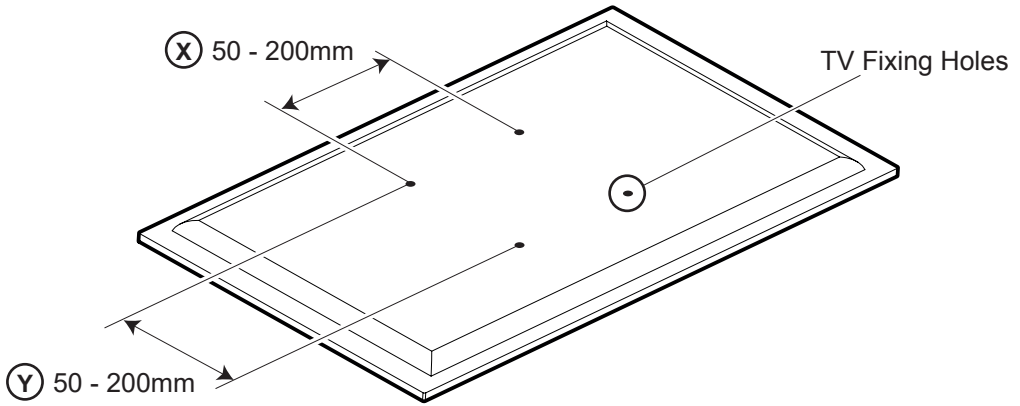
# Boxed Parts



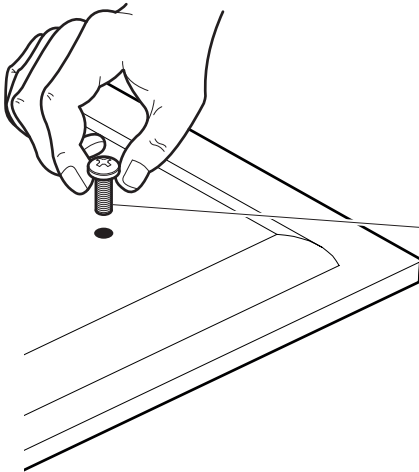
## TV Screws, Reducers and Spacers



# 1 Measure the TV fixing holes Width and Height



If width (X) is greater than 200mm or height (Y) greater than 200mm STOP installation now and contact the customer help line.



**M4 = H1-H3**

**M6 = H4-H5**

**M8 = H6-H8**

You are provided with 3 diameters of TV fixing screws **M4**, **M6** and **M8**. Determine the screw diameter that fits and remember for step 3.

## 2 Preparing the TV Mounting Plate

Use the option that fits your TV

### OPTION 1

- X 50mm x  Y 50mm
- X 75mm x  Y 75mm
- X 100mm x  Y 100mm

### OPTION 2

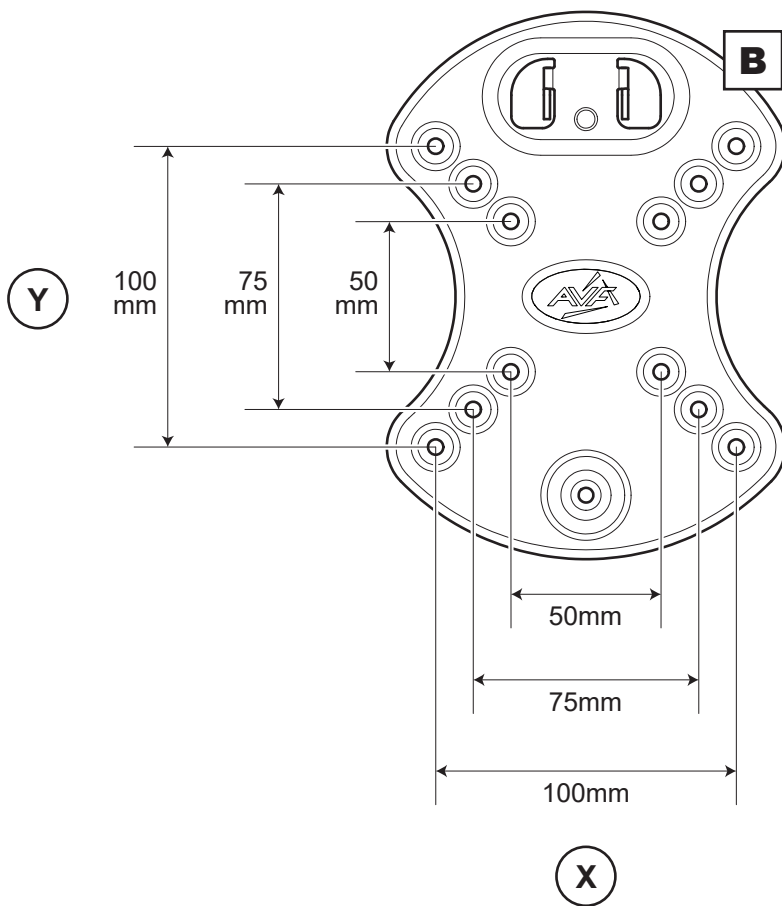
- X 100mm x  Y 200mm
- X 200mm x  Y 100mm

### OPTION 3

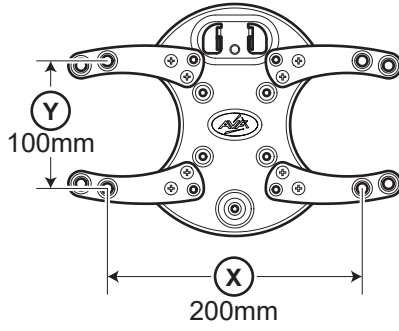
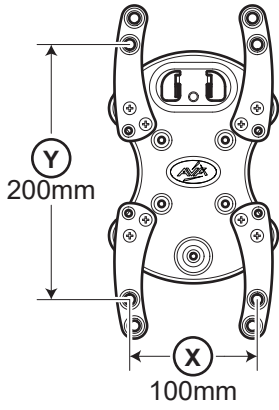
- X 200mm x  Y 200mm

If in any doubt please call the customer helpline

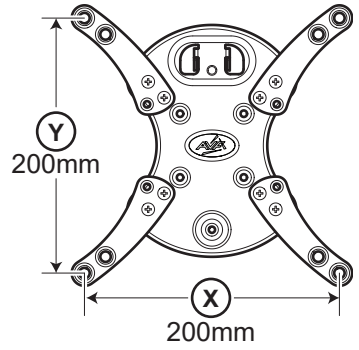
### OPTION 1



OPTION 2

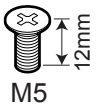
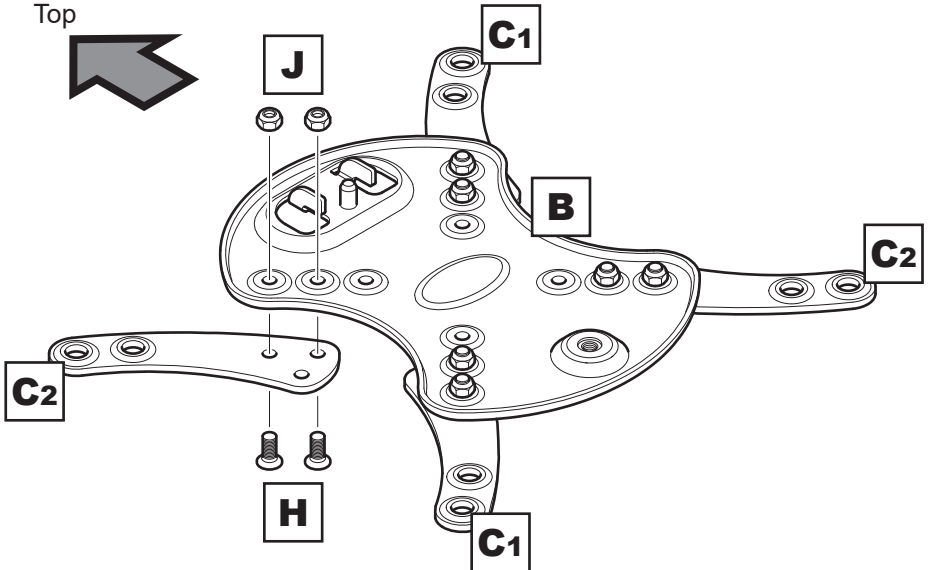


OPTION 3



Example shown is 200 x 200 fixings

Top

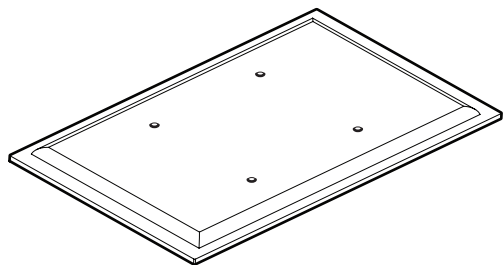


**H** x8    **J** x8

### 3 Fitting the TV Mounting Plate

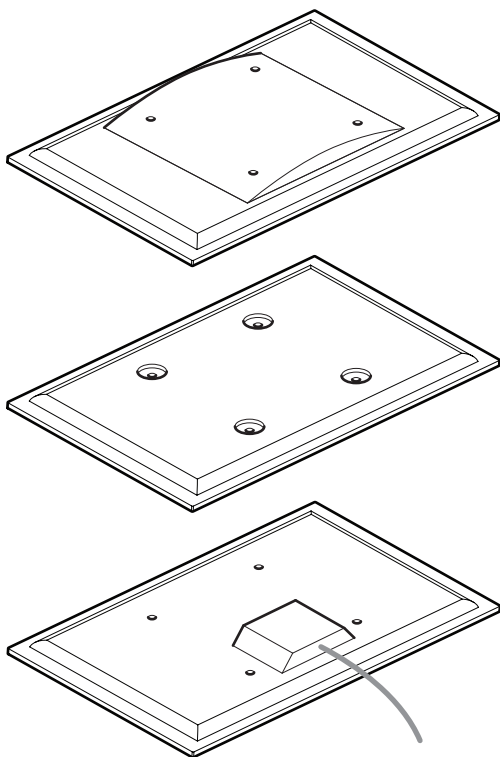
#### No Spacers

For TVs with flat / unobstructed back.

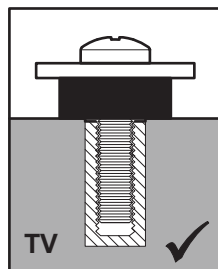
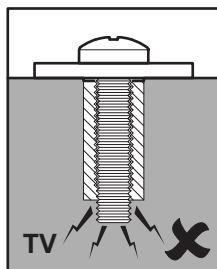
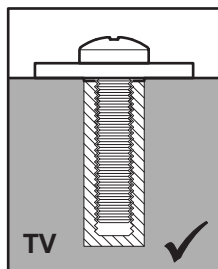
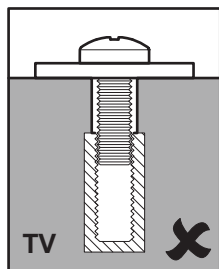


#### Spacers **M1/M2**

For TVs with irregular / obstructed back.



#### WARNING

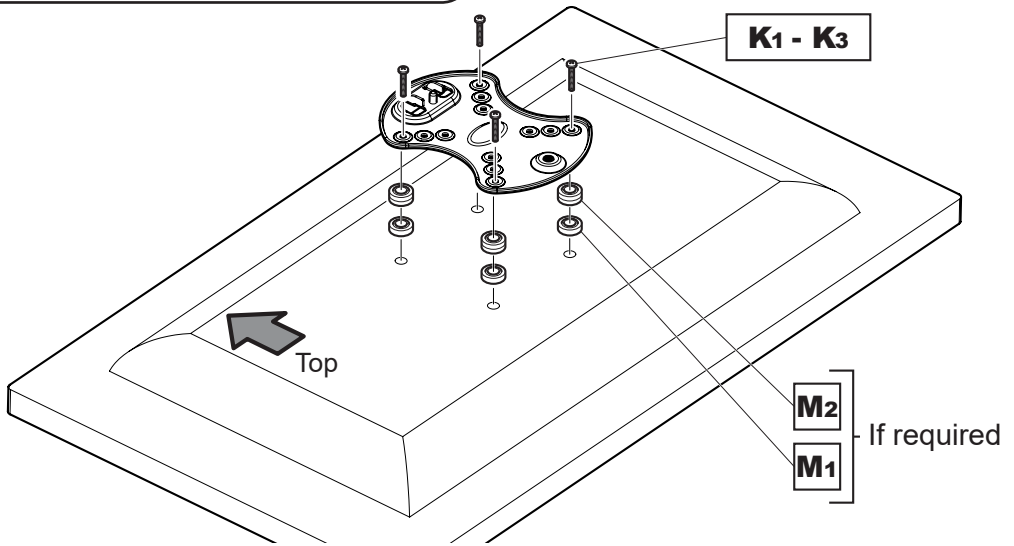


After completing step 3 you will have fittings left over, please keep for future reference.

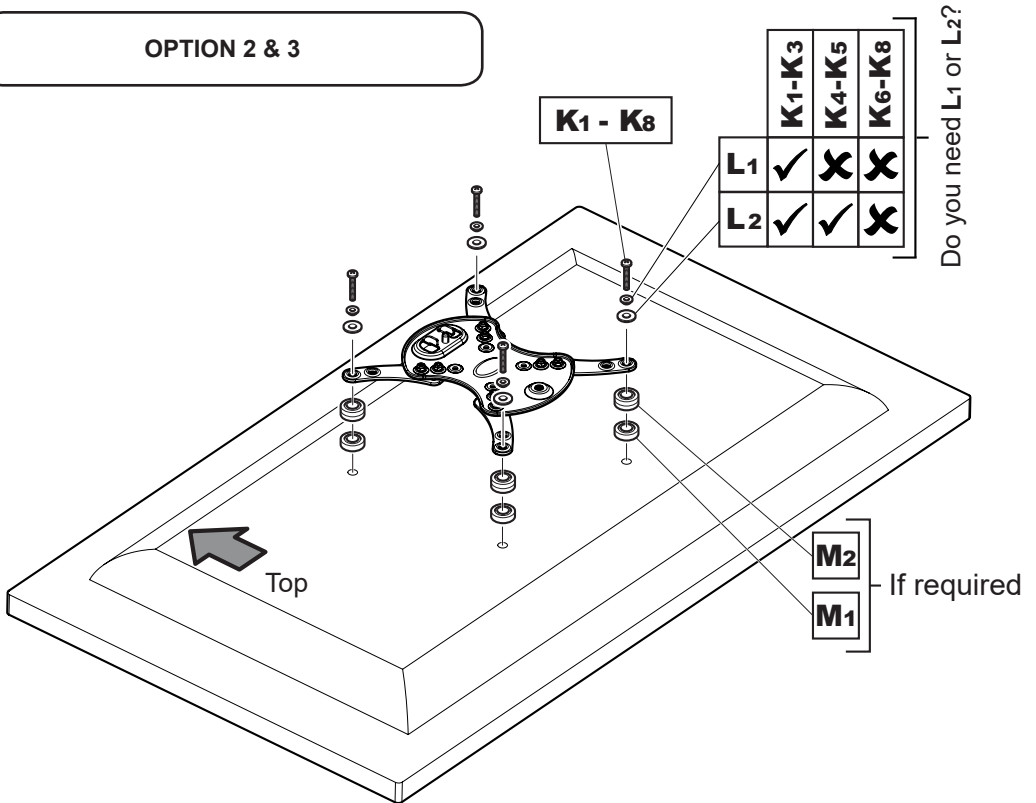


Attach the bracket to the back of your TV using suitable screw, reducer and spacer combinations.

**OPTION 1**

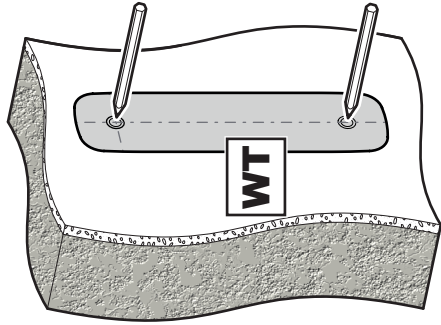


**OPTION 2 & 3**



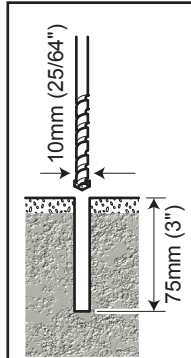
## 4 Fitting the Wall Bracket

Solid Wall



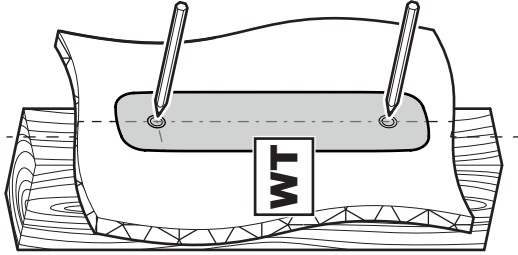
**GET IT RIGHT**

with our easy to use  
online TV Height Calculator  
at [myTVmount.com](http://myTVmount.com)



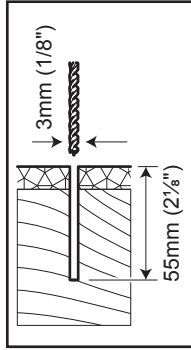
Remove Dust from Hole.

Wood Stud

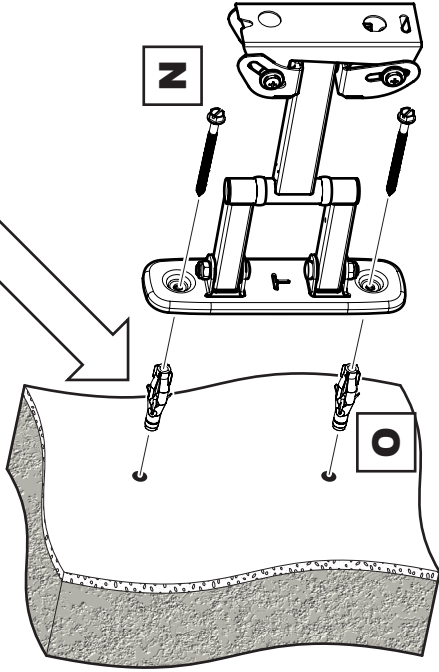
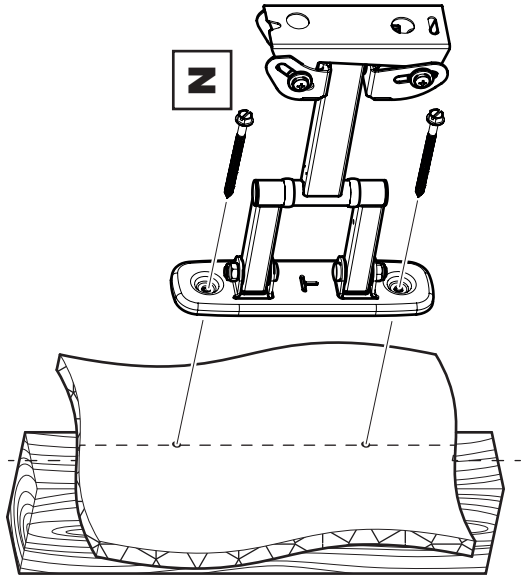
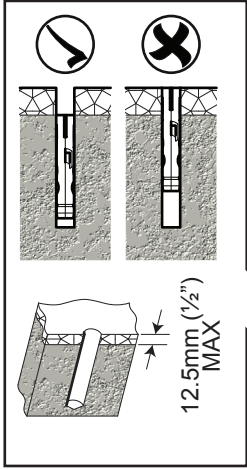


**GET IT RIGHT**

with our easy to use  
online TV Height Calculator  
at [myTVmount.com](http://myTVmount.com)



Ensure bracket is in the centre of the wood stud



**N** x2



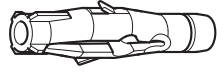
Lubricate screw thread with soap.



DO NOT overtighten screws.  
Tighten screws by hand only.



**N** x2



**O** x2

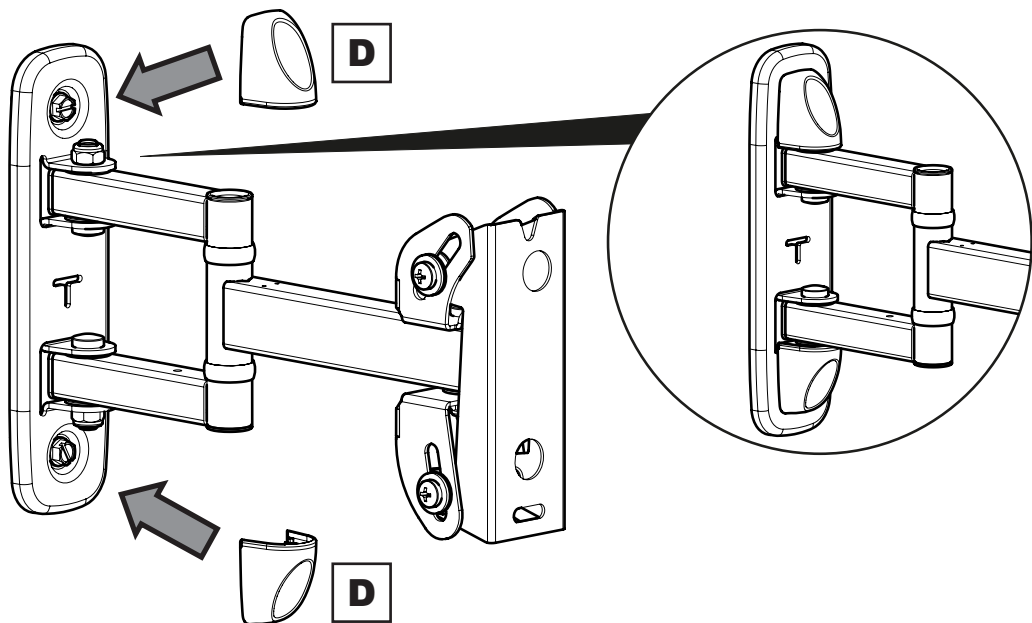


Lubricate screw thread with soap.



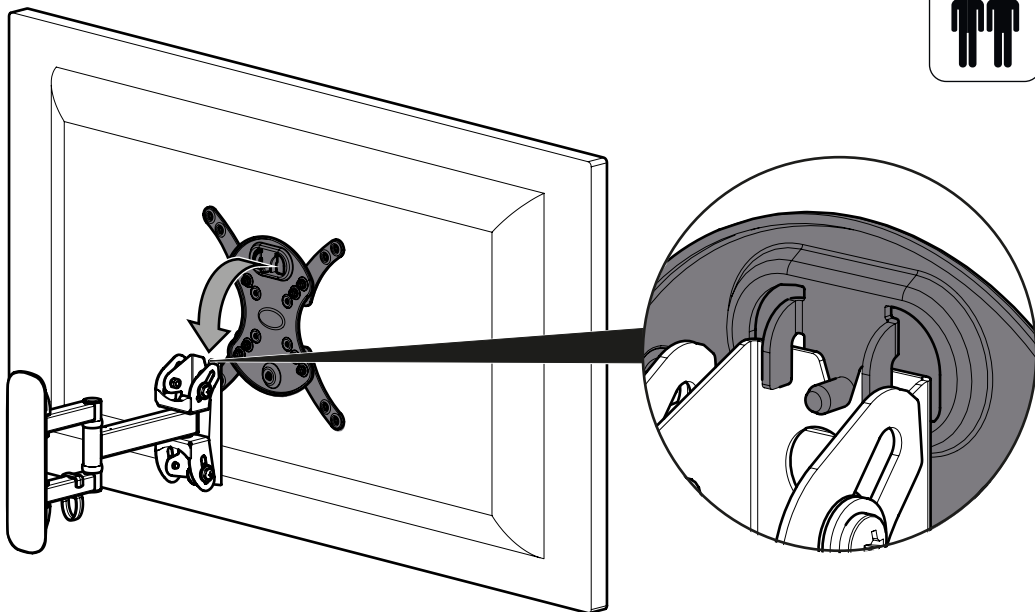
DO NOT overtighten screws.  
Tighten screws by hand only.

## 5 Fitting the Wall Bracket Covers

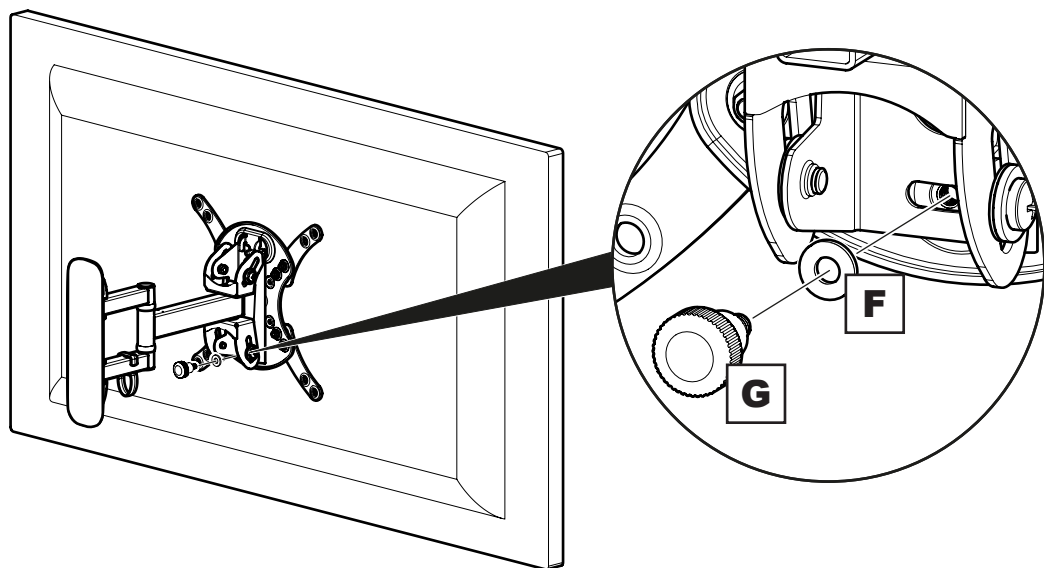


## 6 Hanging the TV

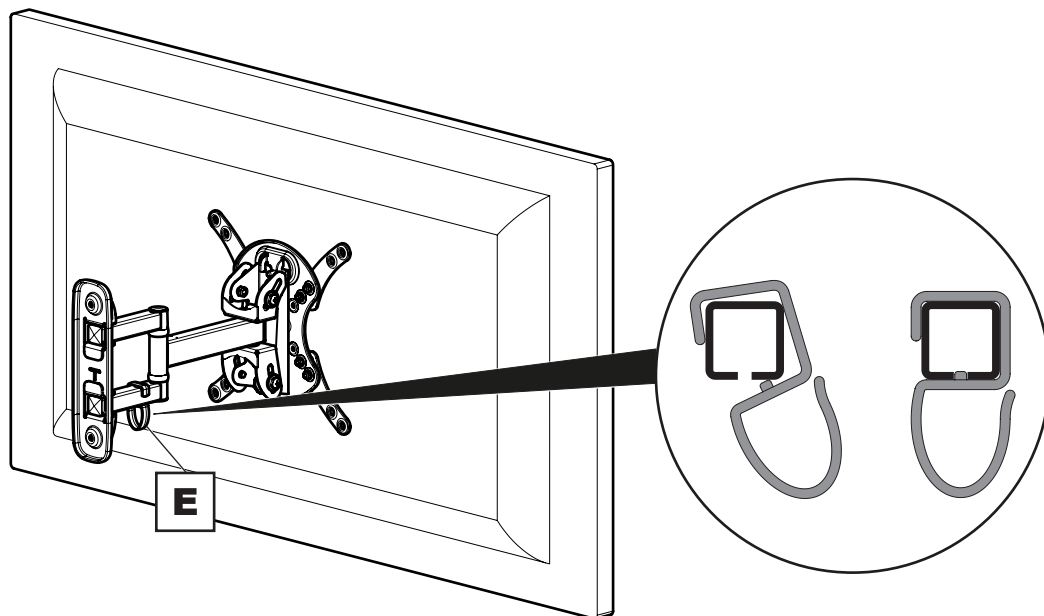
Hanging the TV



## Locking the TV

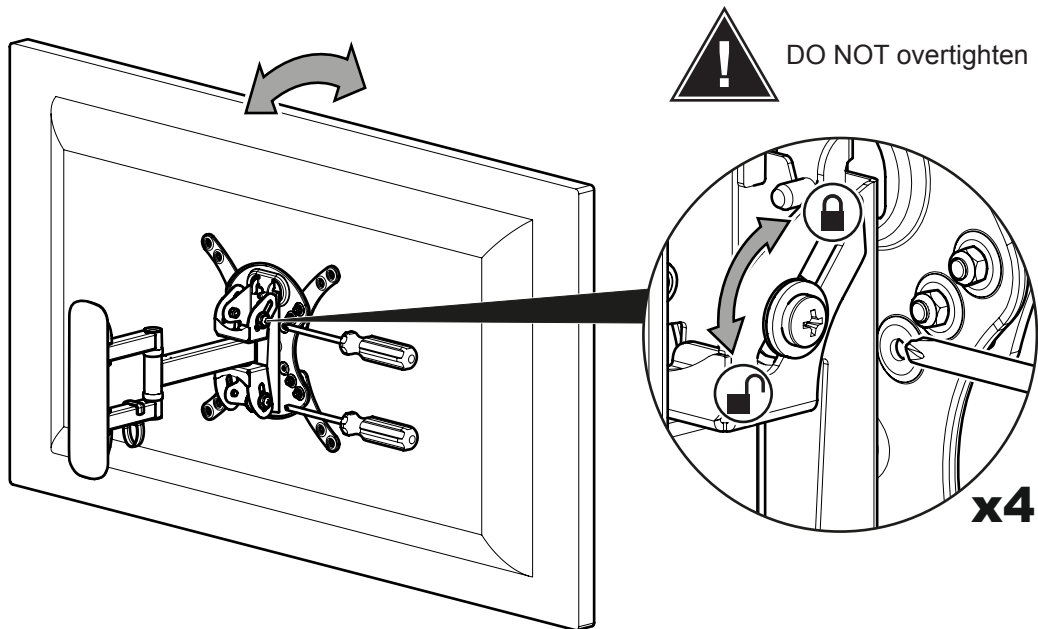


## 7 Fitting the Cable Management



## 8 Tilt Adjustment

Adjust screws to achieve perfect tilt resistance if required.



## 9 TV Levelling

