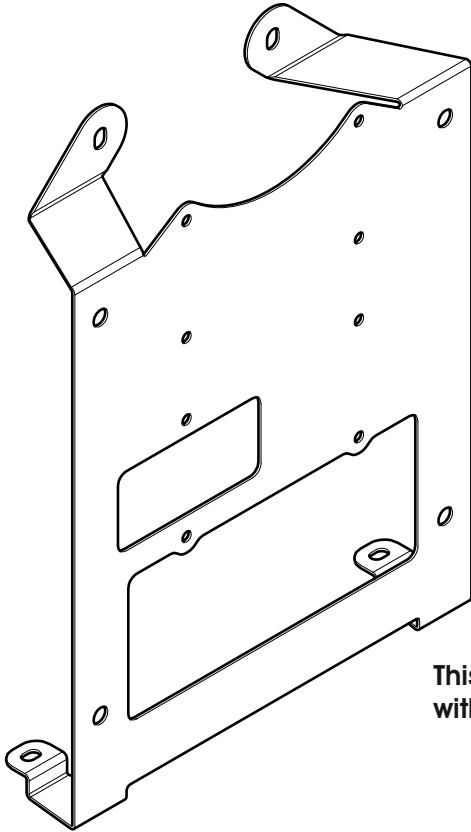


P6437

Leaflet No. **464569** rev00



This adaptor is designed for use
with **SONY W6** series TVs only



*Read through **ALL** instructions before commencing installation.
If you have any questions about this product or issues with installation
contact the customer services helpline before returning this product to
the store.*

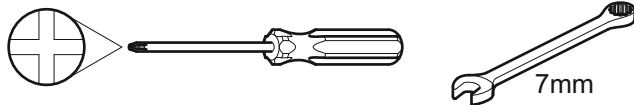
CUSTOMER SERVICES HELP LINE NUMBER:

01952 670009

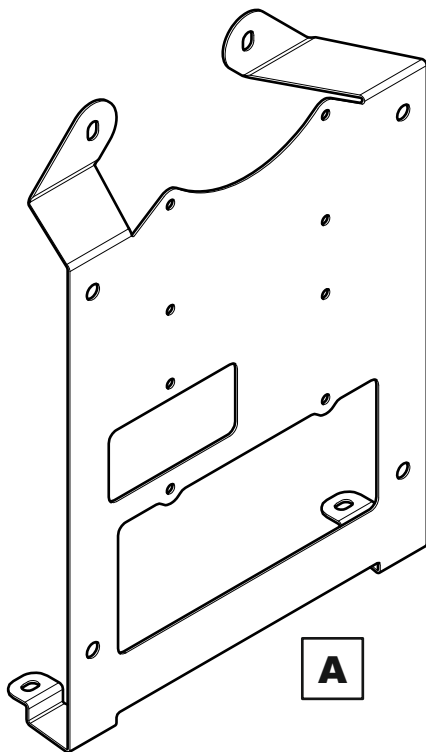
Please refer to AVF TV Mount
instructions for maximum
TV weight and size.
This adaptor is designed to
be used with all AVF TV Mounts.

AVF Group Ltd. Hortonwood 30, Telford, Shropshire, TF1 7YE, England

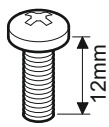
Tools Recommended



Boxed Parts



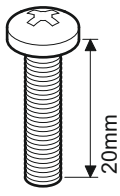
TV Screws and Reducers



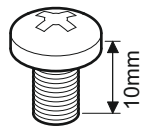
B x4



C x4



D x2

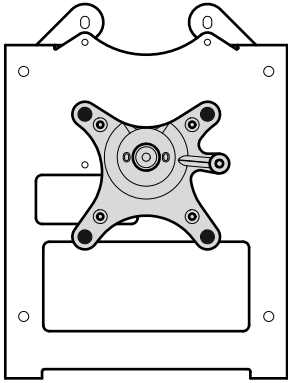


E x2

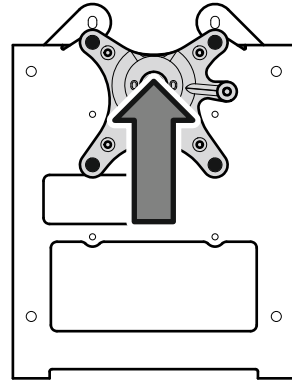
1

Attaching the Adaptor to the TV Mount

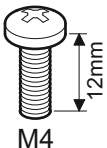
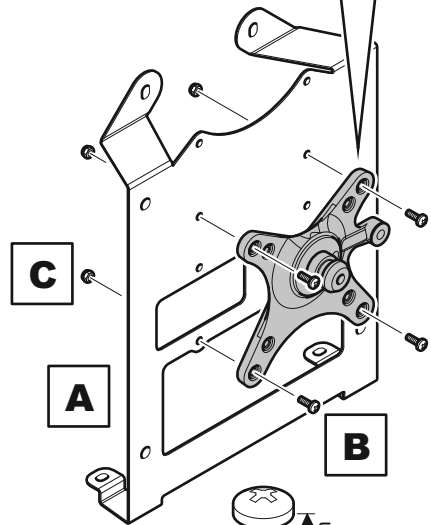
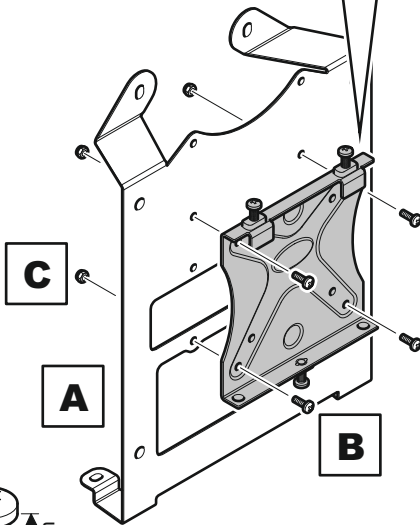
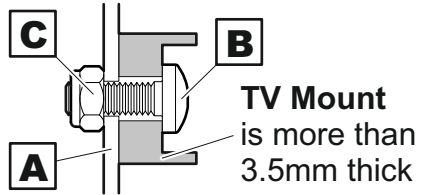
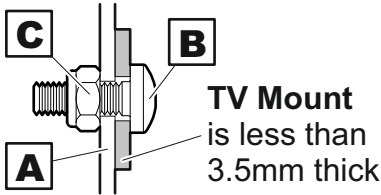
TV Mount shown is an example only. The adaptor is designed to fit all AVF TV Mounts



Scart connector access not required

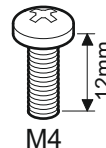


Scart connector access required



B x4

C x4



B x4

C x4

2

Attaching the Adaptor to the TV

