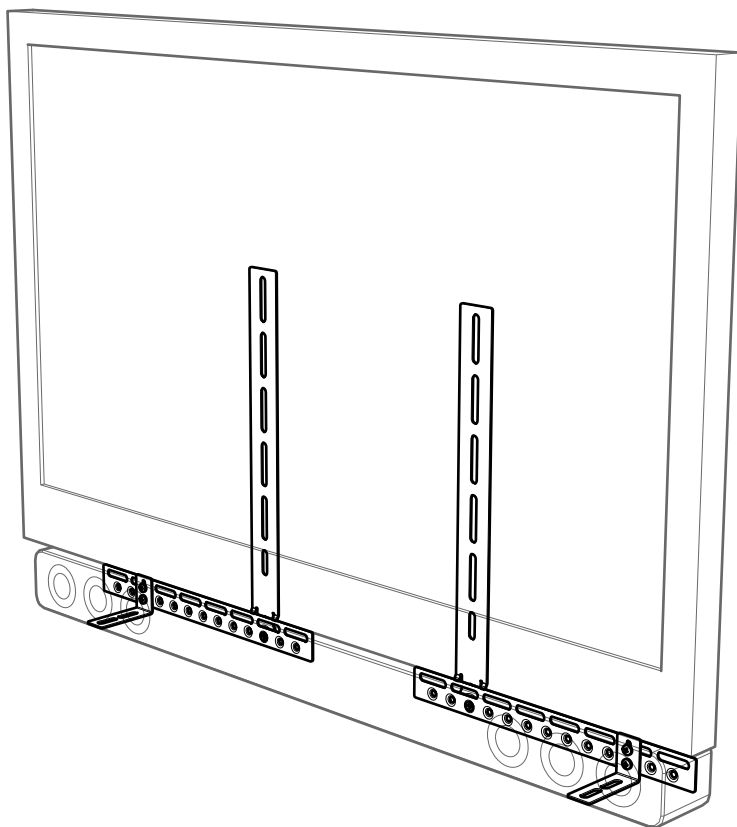


# JAK90

Leaflet No. **463683** rev00



*Read through **ALL** instructions before commencing installation. If you have any questions about this product or issues with installation contact the customer services helpline before returning this product to the store. See [jl.avfgroup.com/p/jak90](http://jl.avfgroup.com/p/jak90) for more information.*

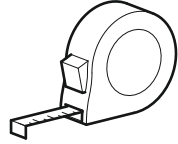
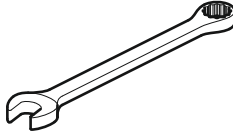
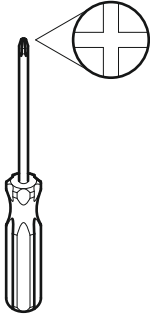
**CUSTOMER SERVICES HELP LINE NUMBER:**

**01952 670009**

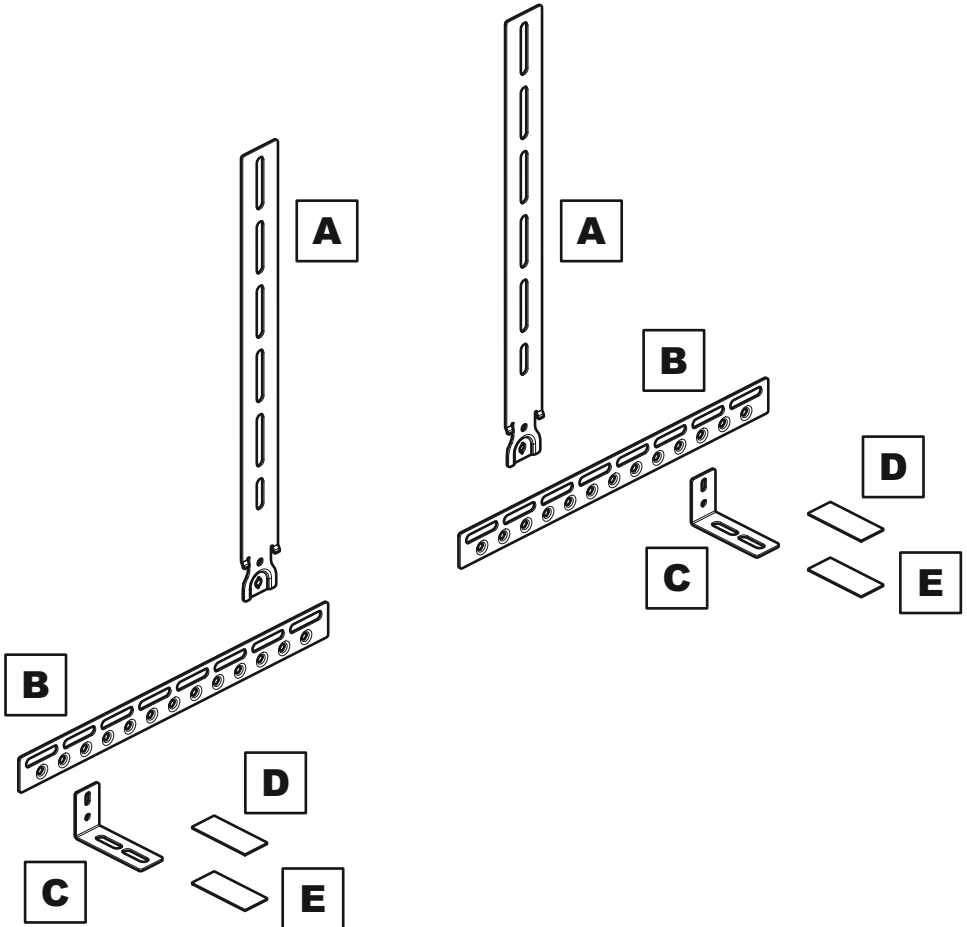


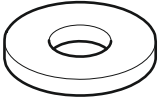
**AVF Group Ltd.** Road 30. Hortonwood Ind Est, Telford, Shropshire, TF1 7YE, England

## Tools Required



## Boxed Parts





**F** x2



**G** x2



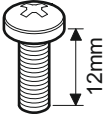
**H** x2



**I1** x6

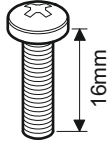


**I2** x4



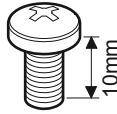
M4

**J1** x2



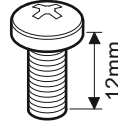
M4

**J2** x2



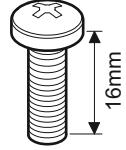
M5

**J3** x2



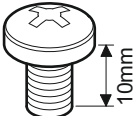
M5

**J4** x4



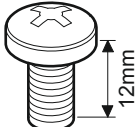
M5

**J5** x2



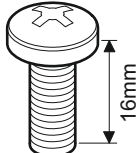
M6

**J6** x2



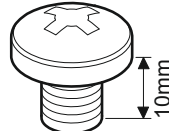
M6

**J7** x2



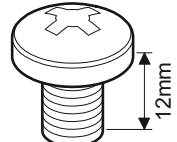
M6

**J8** x2



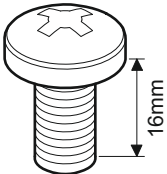
M8

**J9** x2



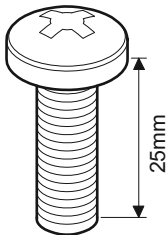
M8

**J10** x2



M8

**J11** x2



M8

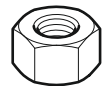
**J12** x2



**K** x2



**L** x4



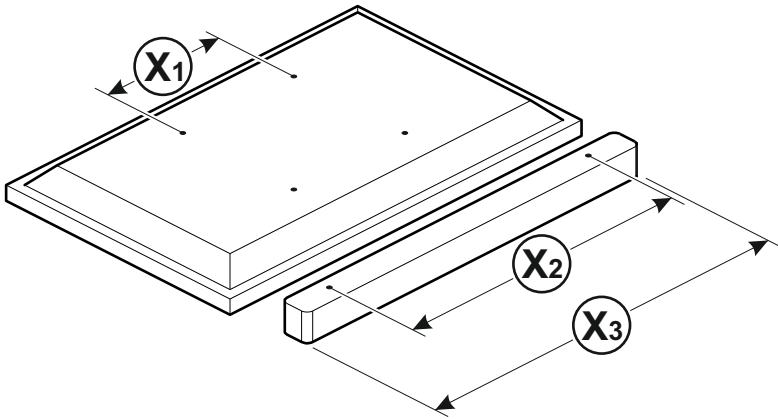
**M** x2

# Introduction

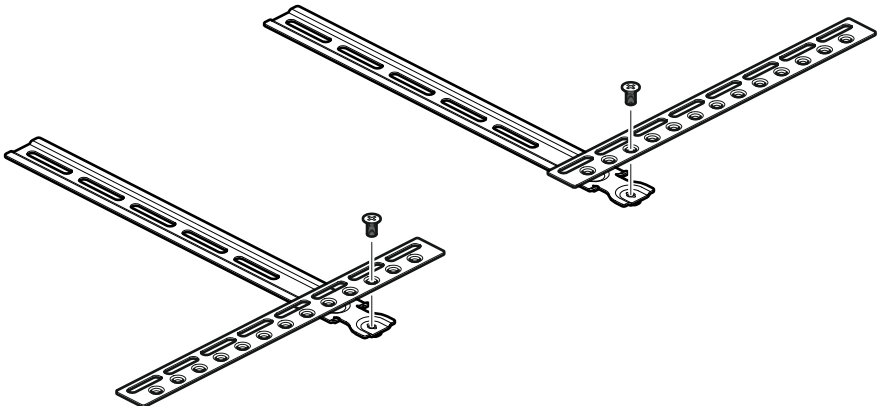
Before you begin please take time to read through this introduction and instructions to familiarise yourself with the product and to also help you select the best way to attach your Soundbar. This instruction manual covers many different configurations and is very comprehensive. Please do not be put off by this as you will only need to follow a few steps.

This introduction gives you a basic idea as to what steps are involved in mounting your Soundbar to your TV.

## Measure your TV and Soundbar fixing holes



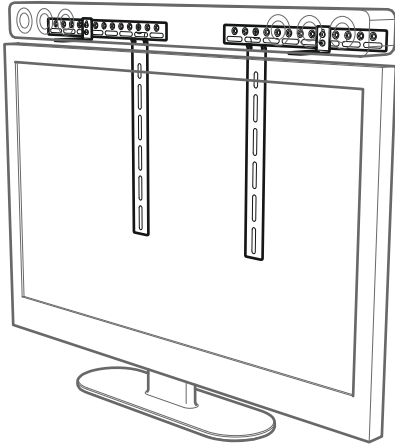
## Prepare the Soundbar Mount Bracket



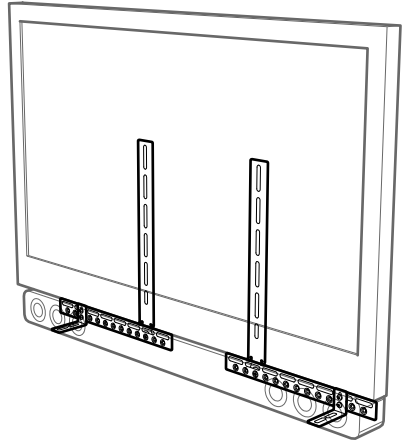
## Mounting Above or Below?

Before you start to mount your Soundbar to your TV you will need to decide if you are going to mount your Soundbar above your TV or below your TV

### Mounting Above Follow steps 3 to 8



### Mounting Below Please go to step 9



You will then need to attach the Soundbar to your TV. See below for a description of the different fixing methods available.

### **Screwing to the Back of the Soundbar**

Use this method if you have no clashes with the TV and Soundbar fixing holes.

### **Screwing to the Bottom of the Soundbar**

Use this method if you have no clashes with the TV and Soundbar fixing holes.

### **Attaching the Soundbar with Hook and Loop**

Use this method if your Soundbar has no fixing holes or if there are clashes.

### **Attaching the Soundbar with Manufacturers Bracket**

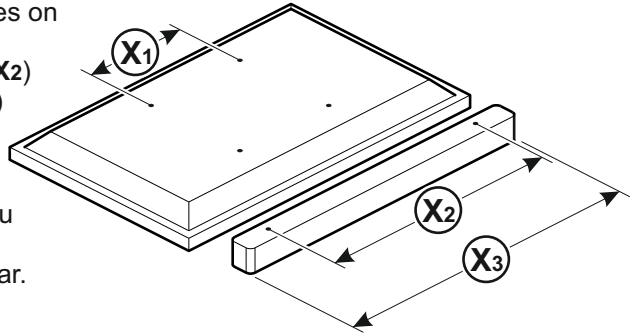
Use this method if a Bracket is supplied by the Manufacturer. You will also find more information in the Manufacturers instructions.

### **Attaching the Soundbar with Keyhole Pin**

Use this method if your Soundbar has Keyhole fixing holes.

# 1 Measure your TV and Soundbar fixing holes

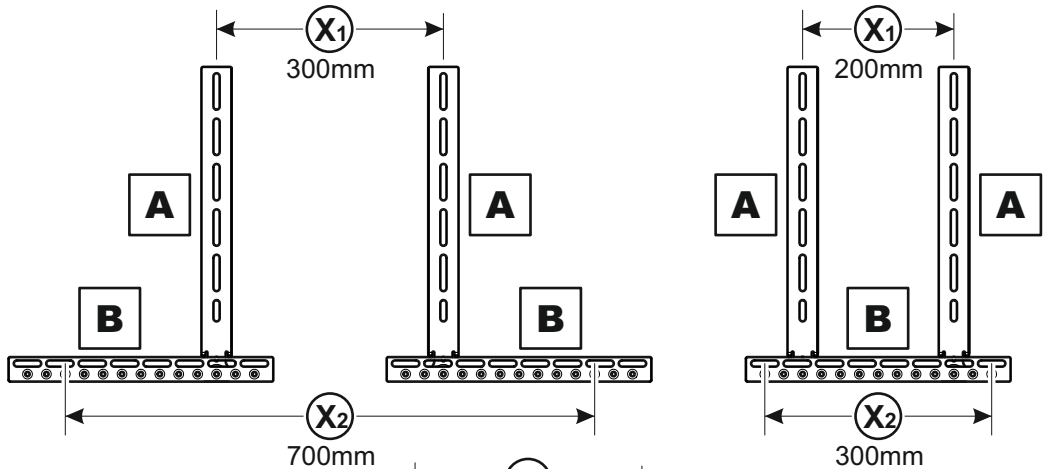
Measure the width of the fixing holes on the back of your TV ( $X_1$ ) and the back or bottom of your Soundbar ( $X_2$ ) or the length of your Soundbar ( $X_3$ ) if it has no fixing holes.



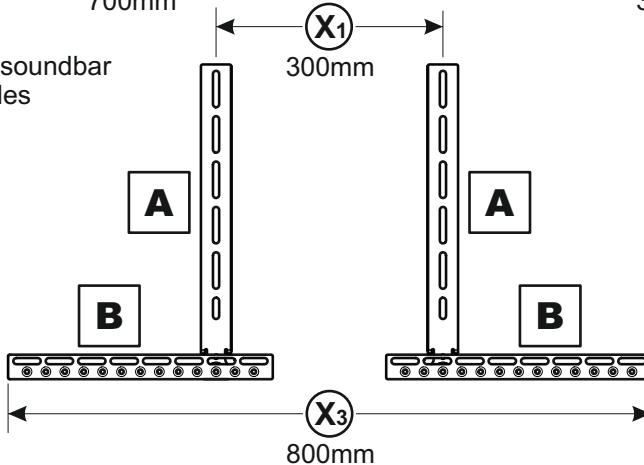
If your TV fixing holes and Soundbar fixing holes are equal you will not be able to screw directly to the back or bottom of your Soundbar. In this case you will need to use a different method for attaching.

Before you attach horizontal bracket **B** to vertical bracket **A** use measurements  $X_1$  and  $X_2$  or  $X_1$  and  $X_3$  to decide the best configuration. Please see below for examples.

Examples below show soundbar with fixing holes

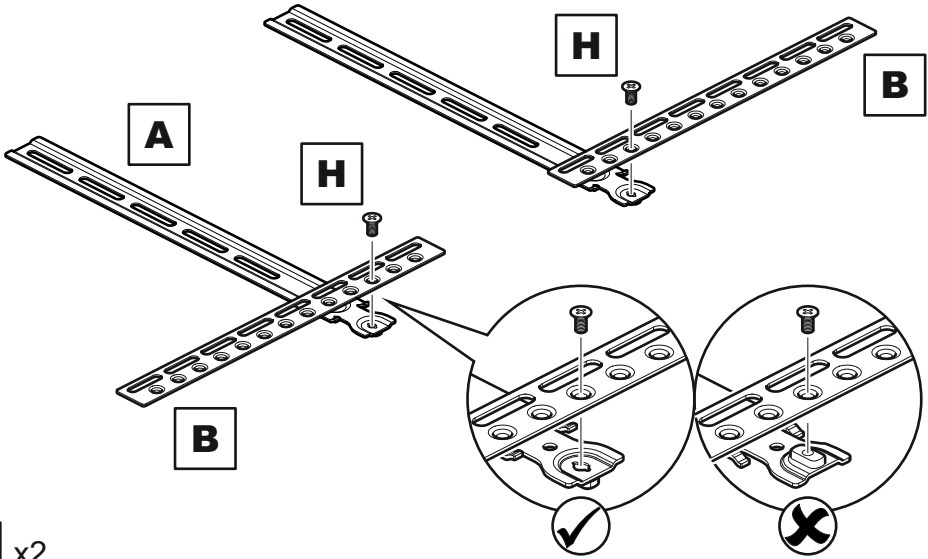


Example shows soundbar with no fixing holes



## 2 Prepare the Soundbar Mount Bracket

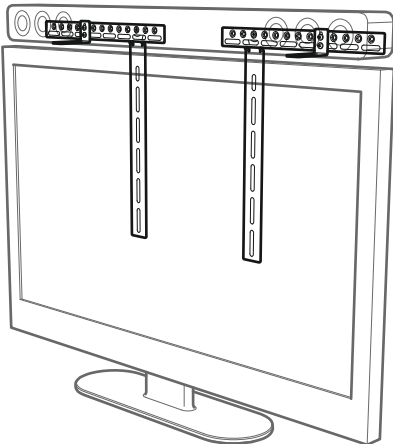
Use measurements X1 & X2 or X3 from Step 1



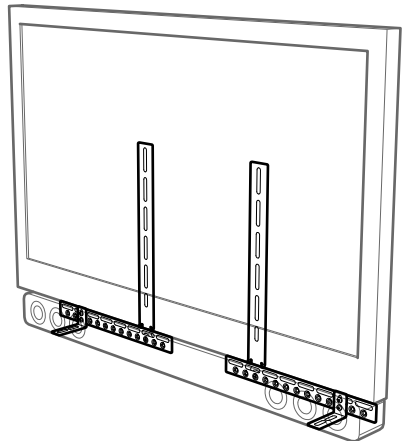
## Mounting Above or Below?

Before you start to mount your Soundbar to your TV you will need to decide if you are going to mount your Soundbar above your TV or below your TV

**Mounting Above**  
Follow steps 3 to 8



**Mounting Below**  
Please go to step 9



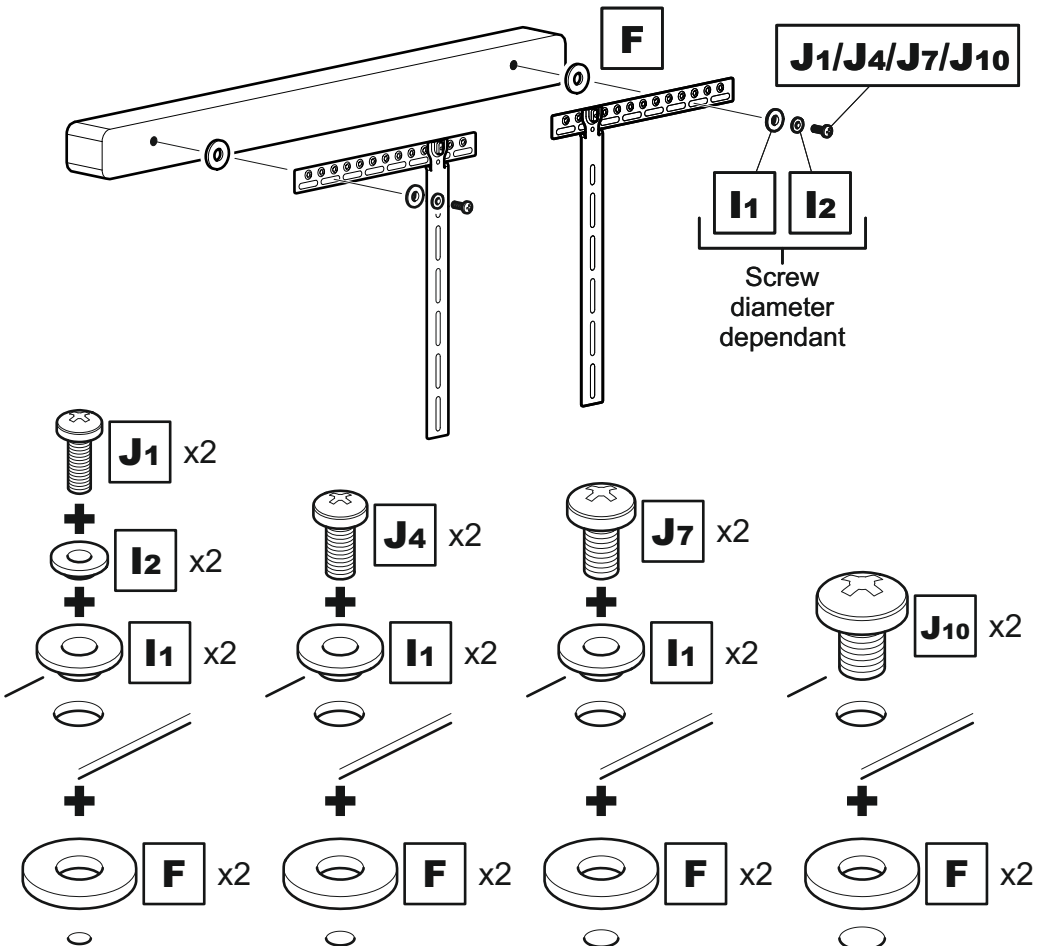
# Mounting Above

You only need to follow one of steps 3 to 7 if you have chosen to have your Soundbar mounted above your TV.

Please select your method of attaching your Soundbar to your TV and follow the appropriate steps.

- Screwing to the Back of the Soundbar - **Step 3**
- Screwing to the Bottom of the Soundbar - **Step 4**
- Attaching the Soundbar with Hook and Loop - **Step 5**
- Attaching the Soundbar with Manufacturers Bracket - **Step 6**
- Attaching the Soundbar with Keyhole Pin - **Step 7**

## 3 Screwing to the Back of the Soundbar

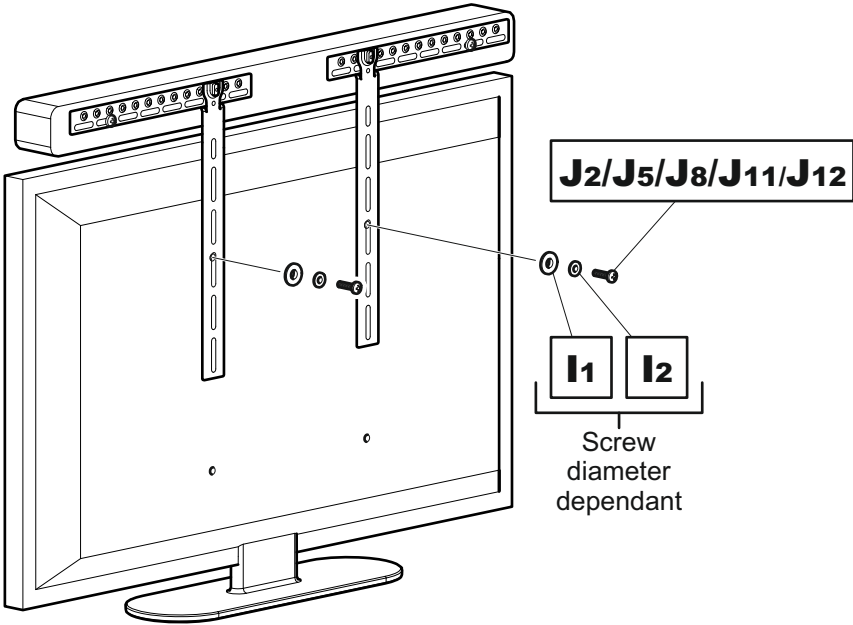


Attach the brackets to the back of your TV using suitable screw and reducer combinations.



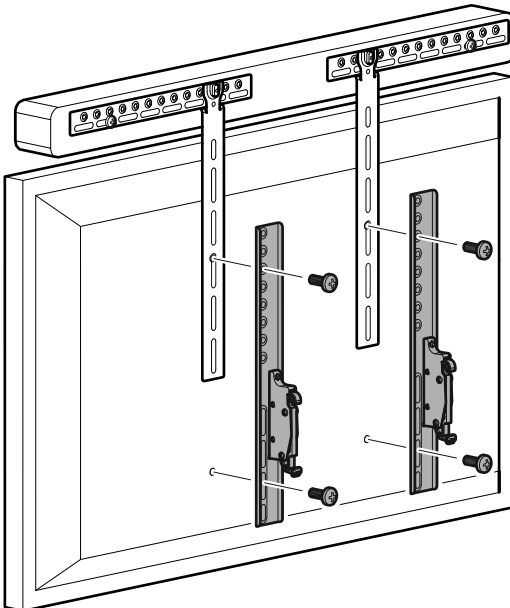
## Free Standing TV

If you are attaching your Soundbar to a free standing TV please use this step in conjunction with step 8



## Wall Mounted TV

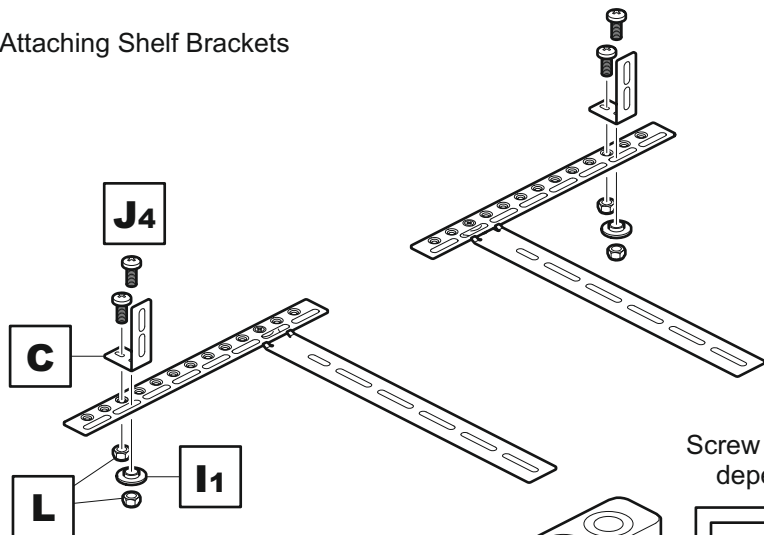
If you are attaching your Soundbar to a wall mounted TV please use this step in conjunction with the instructions provided with your TV wall mount.



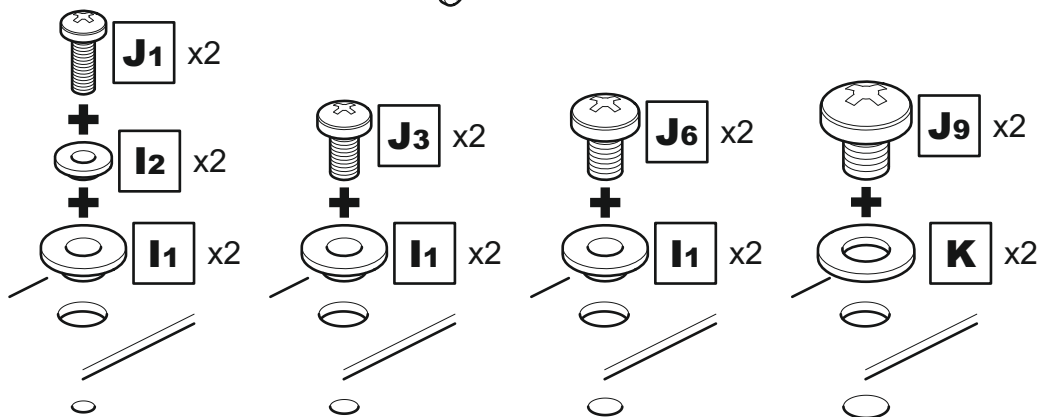
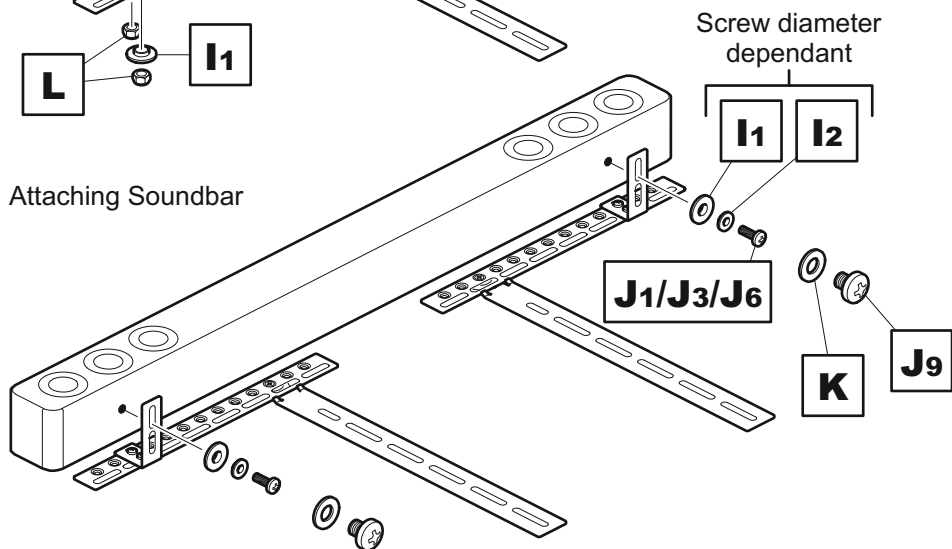
The brackets and the screws shown in grey are only an example. These are supplied by the TV wall mount manufacturer.

# 4 Screwing to the Bottom of the Soundbar

## i Attaching Shelf Brackets



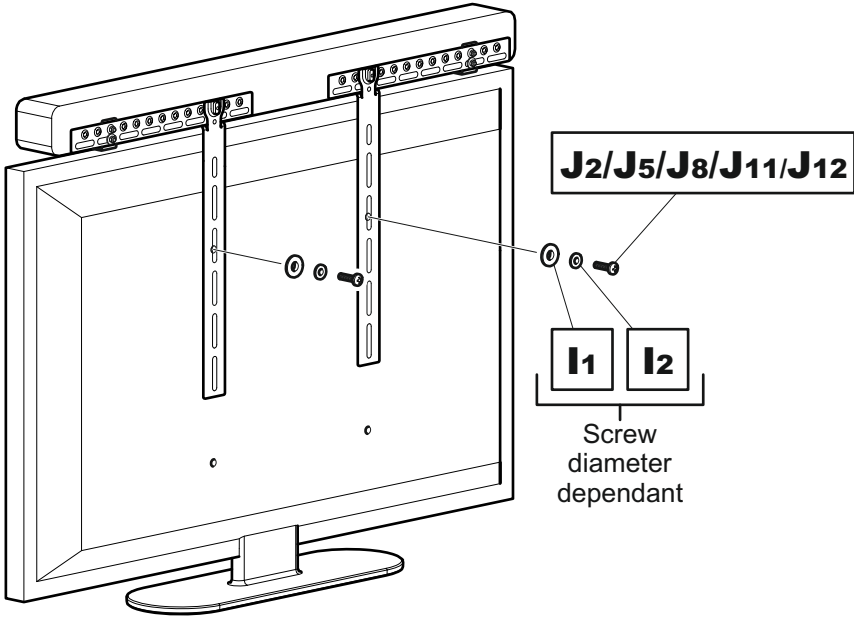
## ii Attaching Soundbar



Attach the brackets to the back of your TV using suitable screw and reducer combinations.

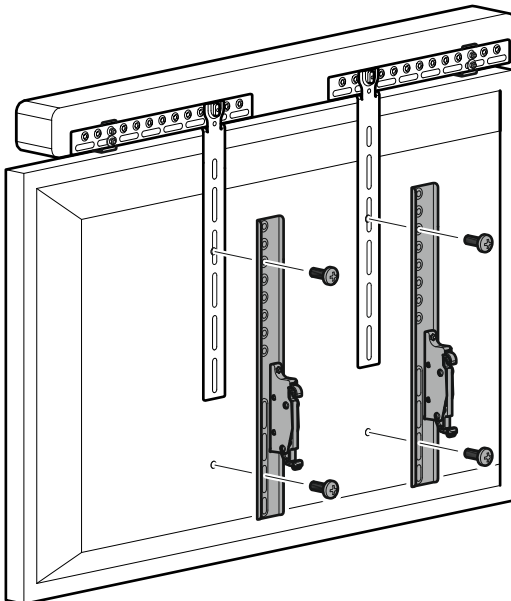
### Free Standing TV

If you are attaching your Soundbar to a free standing TV please use this step in conjunction with step 8



### Wall Mounted TV

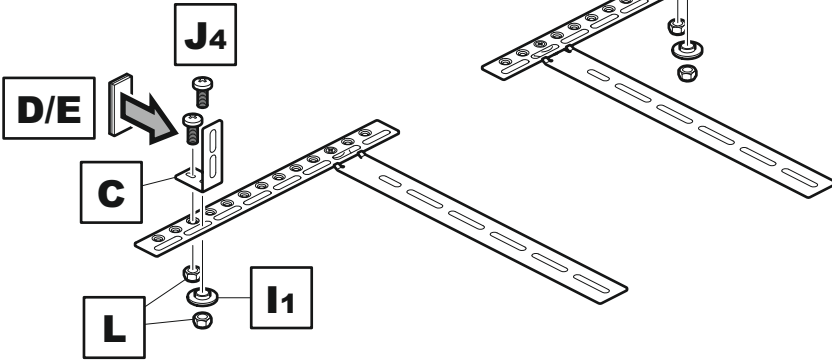
If you are attaching your Soundbar to a wall mounted TV please use this step in conjunction with the instructions provided with your TV wall mount.



The brackets and the screws shown in grey are only an example. These are supplied by the TV wall mount manufacturer.

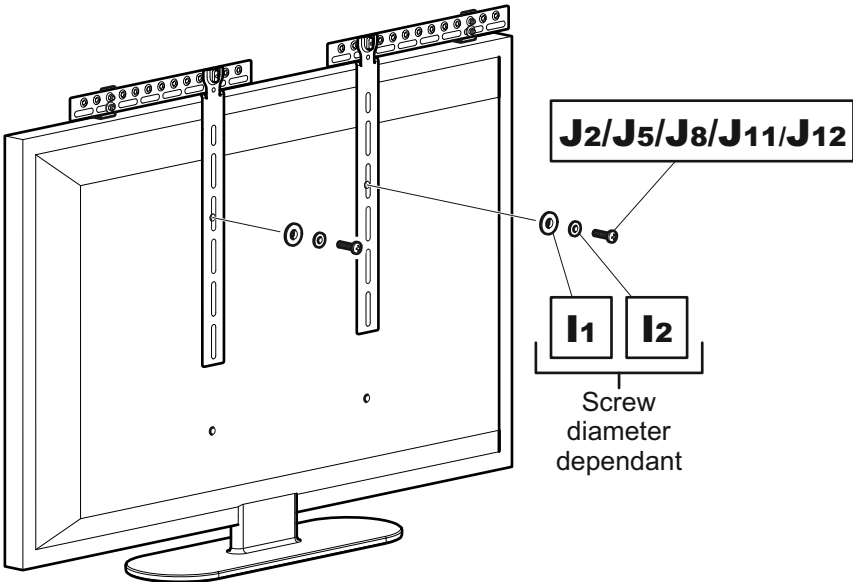
# 5 Attaching the Soundbar with Hook and Loop

**i** Attaching Shelf Brackets and Hook and Loop Pads



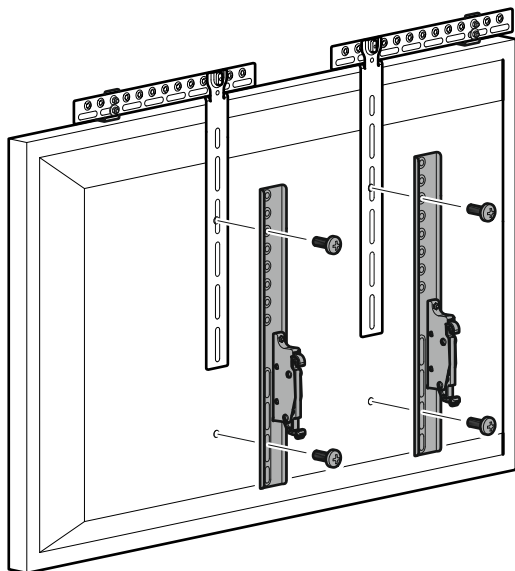
**Free Standing TV**

If you are attaching your Soundbar to a free standing TV please use this step in conjunction with step 8



## Wall Mounted TV

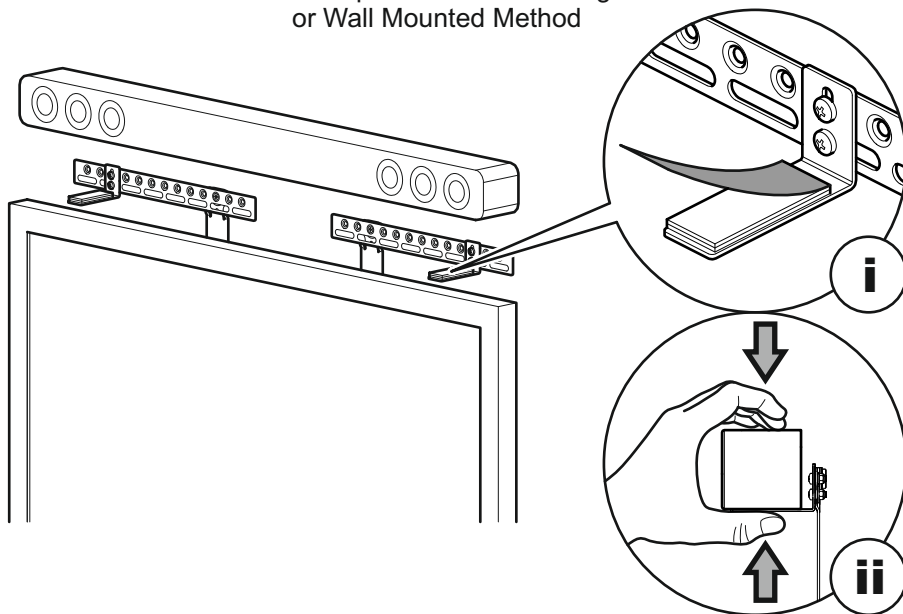
If you are attaching your Soundbar to a wall mounted TV please use this step in conjunction with the instructions provided with your TV wall mount.



The brackets and the screws shown in grey are only an example. These are supplied by the TV wall mount manufacturer.

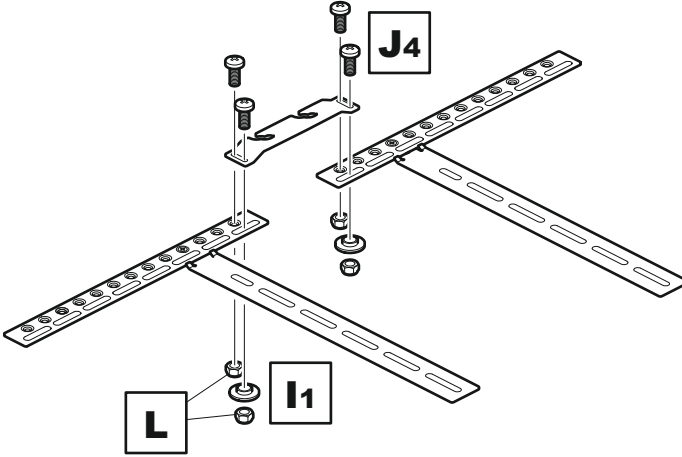
## Free Standing TV or Wall Mounted TV

This step is for Free Standing or Wall Mounted Method



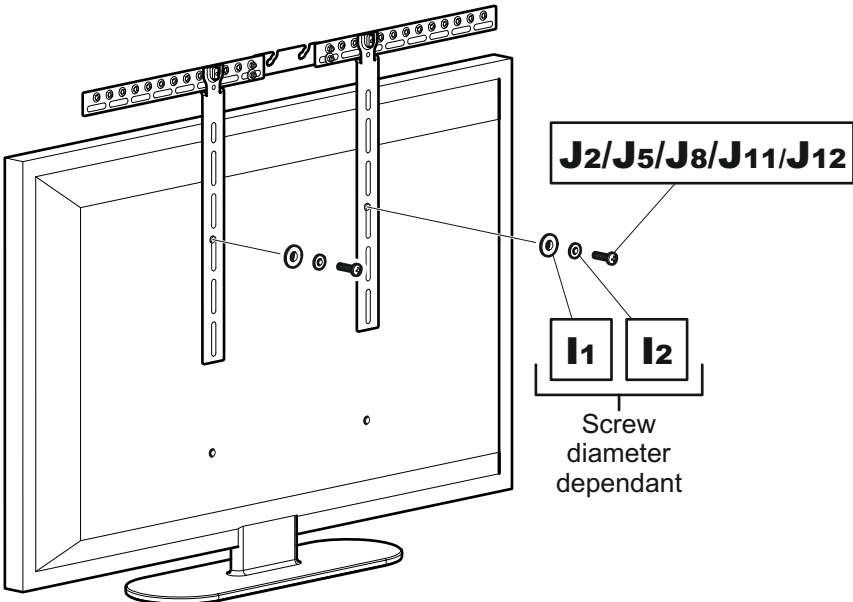
## 6 Attaching the Soundbar with Manufacturers Bracket

**i** Attaching manufacturers bracket. Please note this bracket is not included. The image below shows an example of a bracket.



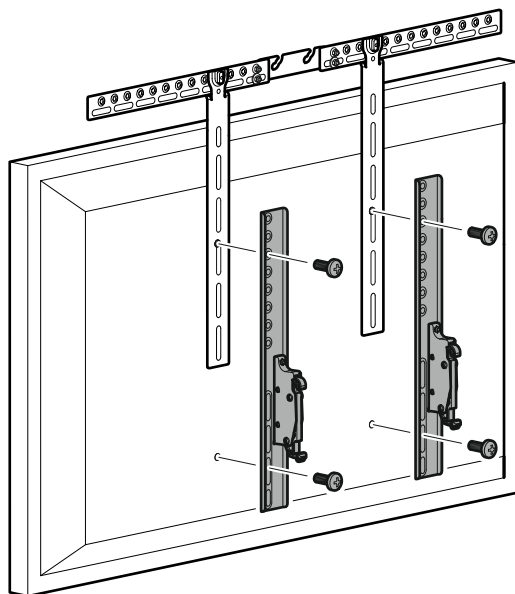
### Free Standing TV

If you are attaching your Soundbar to a free standing TV please use this step in conjunction with step 8



## Wall Mounted TV

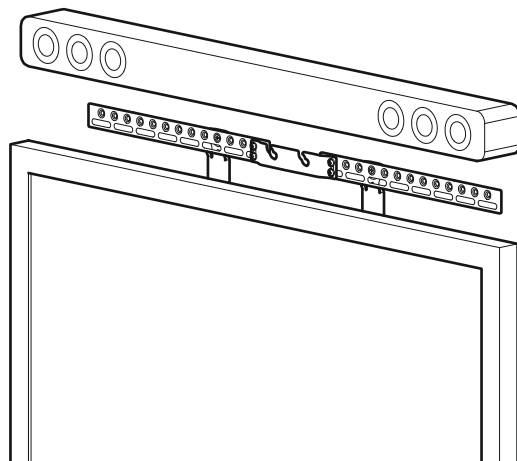
If you are attaching your Soundbar to a wall mounted TV please use this step in conjunction with the instructions provided with your TV wall mount.



The brackets and the screws shown in grey are only an example. These are supplied by the TV wall mount manufacturer.

## Free Standing TV or Wall Mounted TV

This step is for Free Standing or Wall Mounted TV  
Attach your Soundbar as per the manufacturers instructions

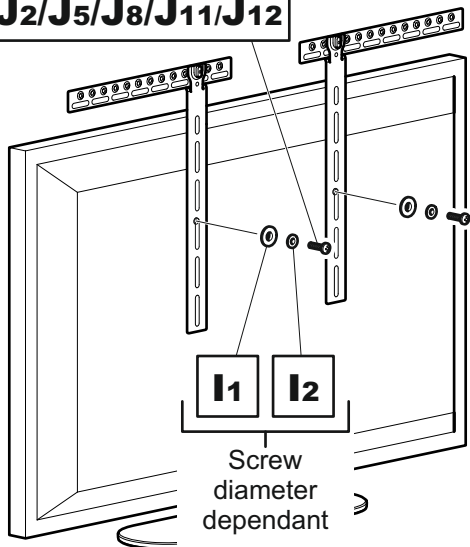


# 7 Attaching to Soundbar with Keyhole Pin

## Free Standing TV

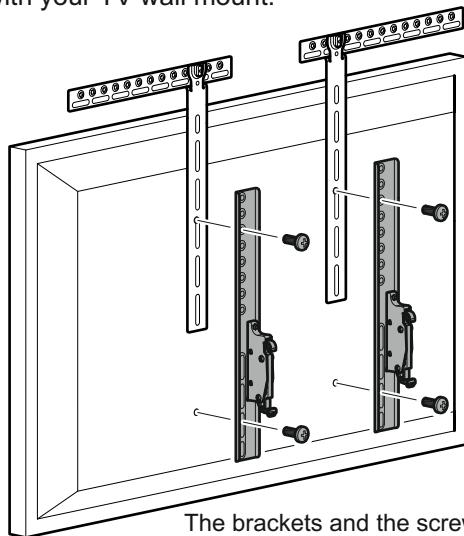
If you are attaching your Soundbar to a free standing TV please use this step in conjunction with step 8

**J2/J5/J8/J11/J12**



## Wall Mounted TV

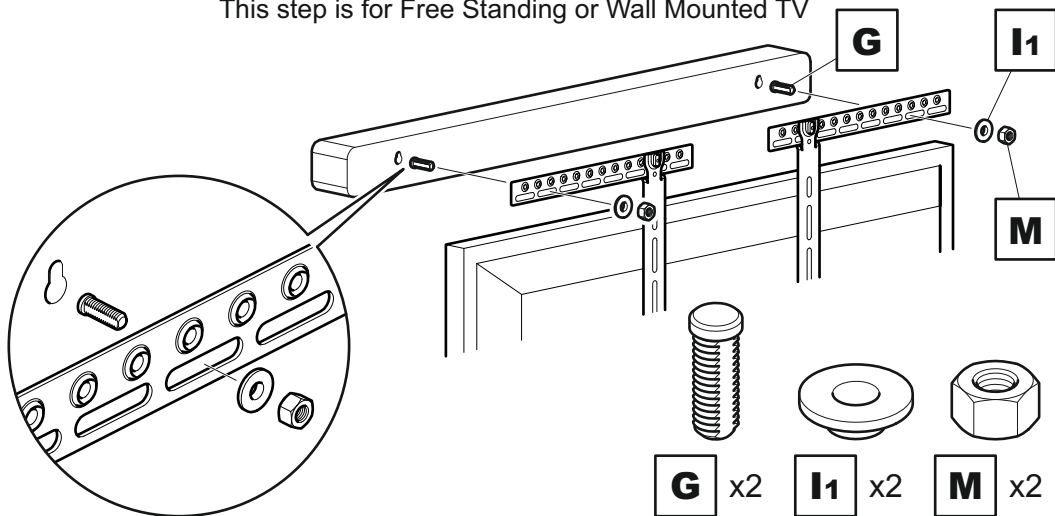
If you are attaching your Soundbar to a wall mounted TV please use this step in conjunction with the instructions provided with your TV wall mount.



The brackets and the screws shown in grey are only an example. These are supplied by the TV wall mount manufacturer.

## Free Standing TV or Wall Mounted TV

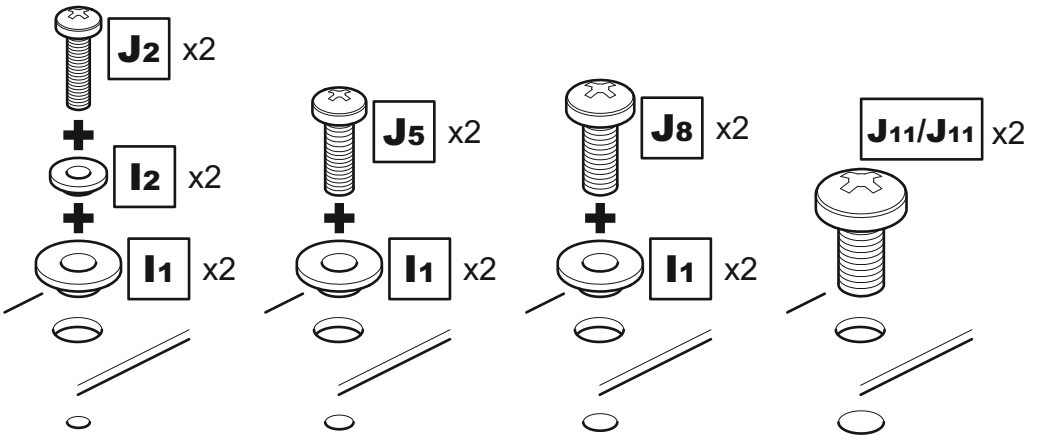
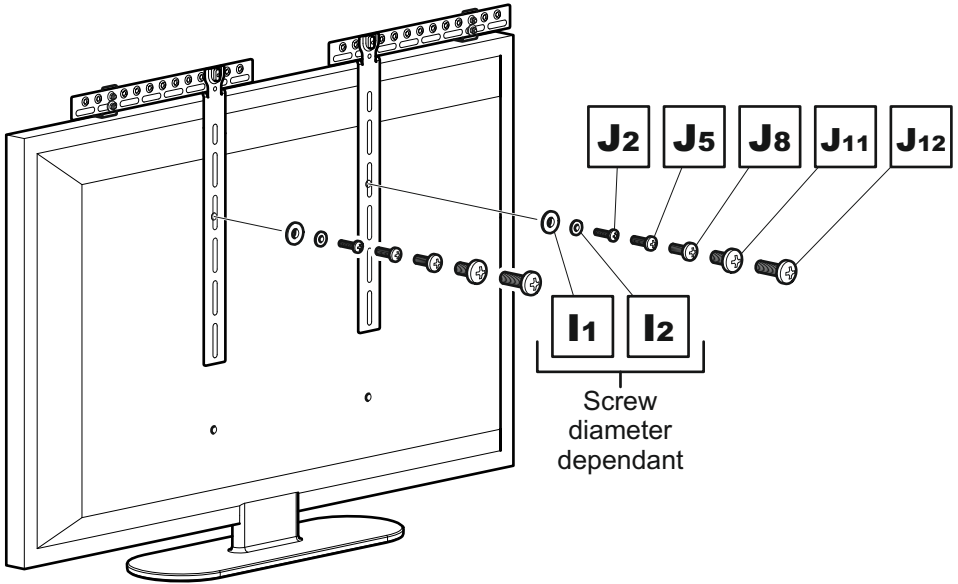
This step is for Free Standing or Wall Mounted TV





## 8 Attaching Soundbar Bracket to TV

You will only need to use this step if you are attaching your Soundbar to a free standing TV



Attach the brackets to the back of your TV using suitable screw and reducer combinations.

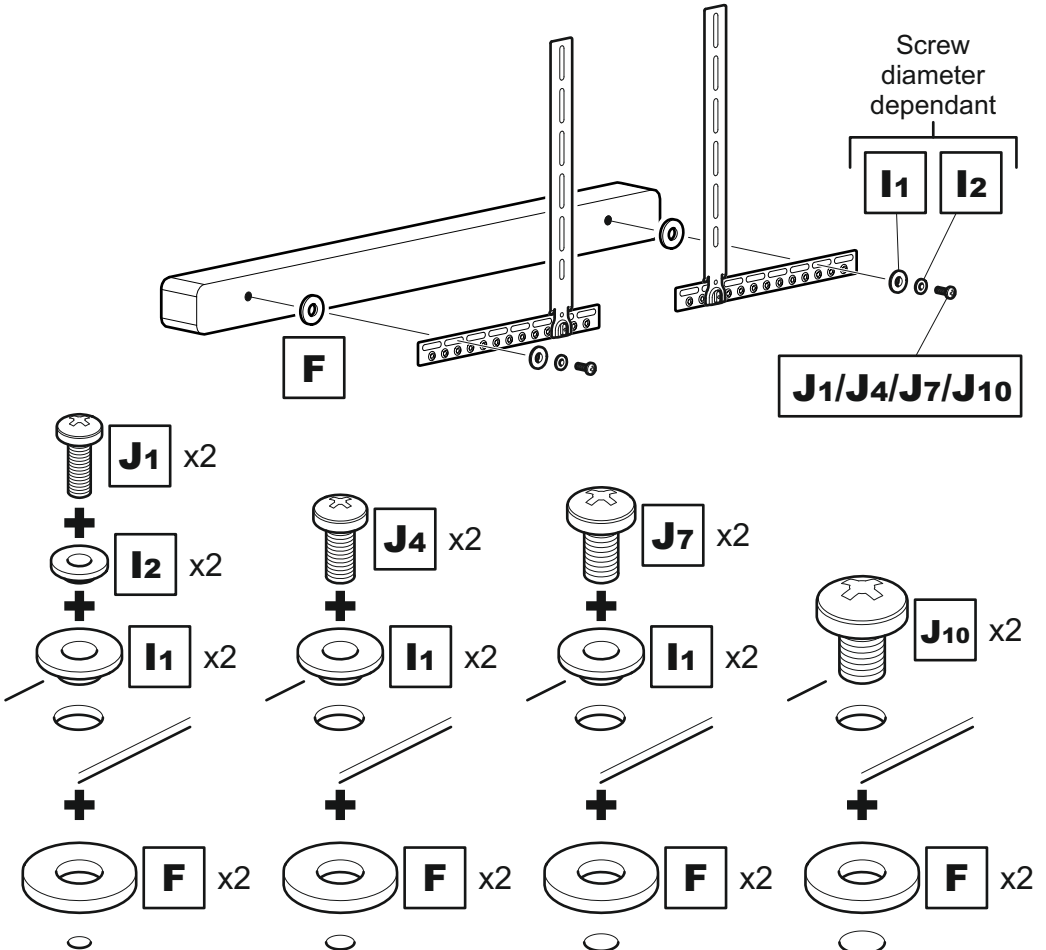
# Mounting Below

You only need to follow one of steps 9 to 13 if you have chosen to have your Soundbar mounted below your TV.

Please select your method of attaching your Soundbar to your TV and follow the appropriate steps.

- Screwing to the Back of the Soundbar - **Step 9**
- Screwing to the Bottom of the Soundbar - **Step 10**
- Attaching the Soundbar with Hook and Loop - **Step 11**
- Attaching the Soundbar with Manufacturers Bracket - **Step 12**
- Attaching the Soundbar with Keyhole Pin - **Step 13**

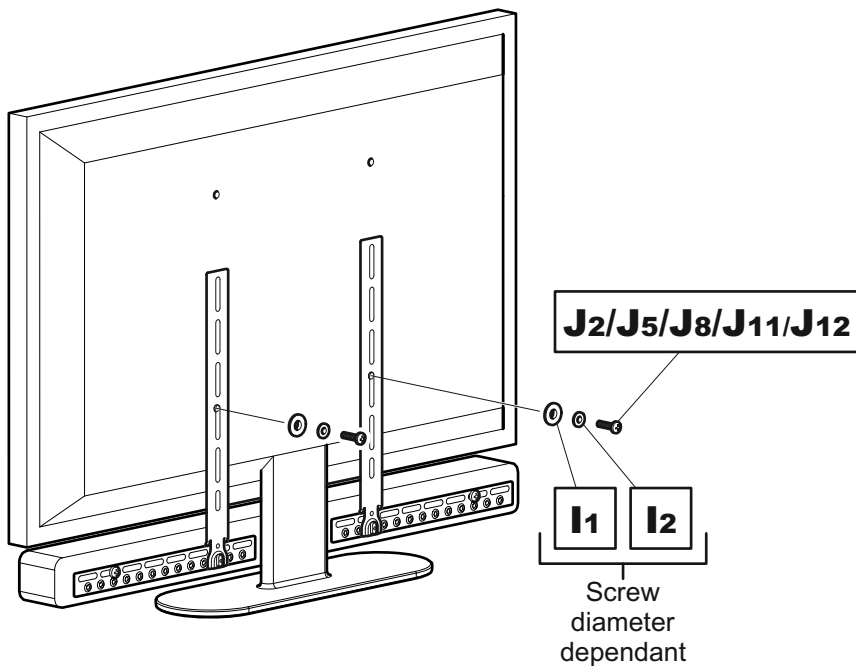
## 9 Screwing to the Back of the Soundbar



Attach the brackets to the back of your TV using suitable screw and reducer combinations.

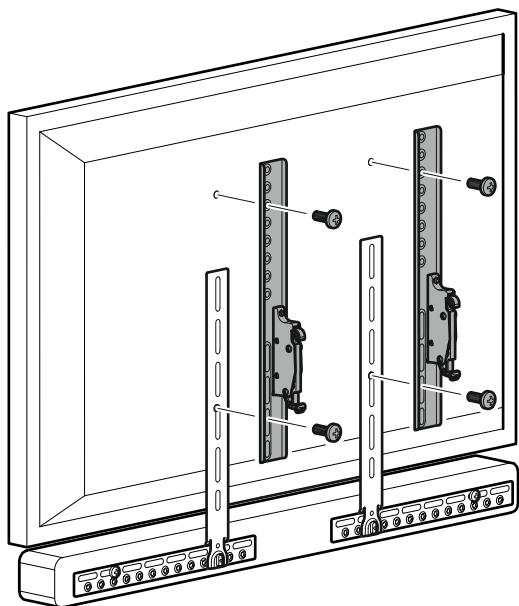
## Free Standing TV

If you are attaching your Soundbar to a free standing TV please use this step in conjunction with step 14



## Wall Mounted TV

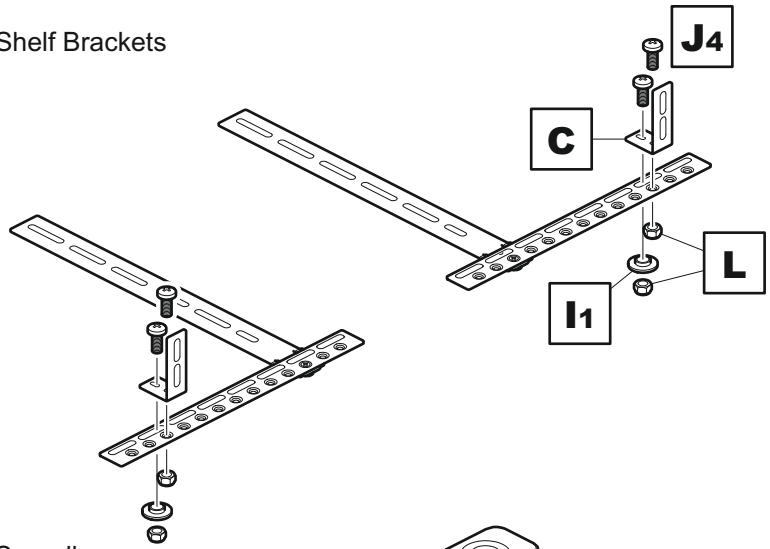
If you are attaching your Soundbar to a wall mounted TV please use this step in conjunction with the instructions provided with your TV wall mount.



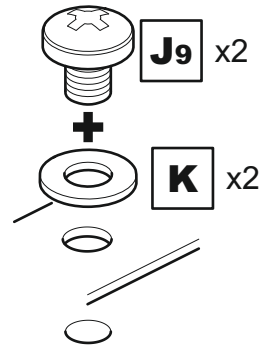
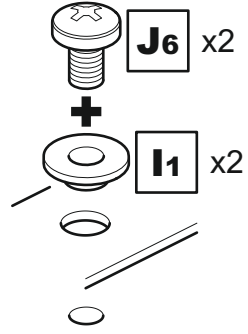
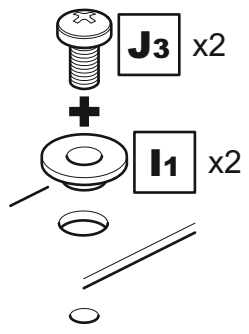
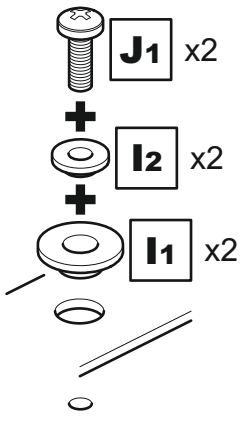
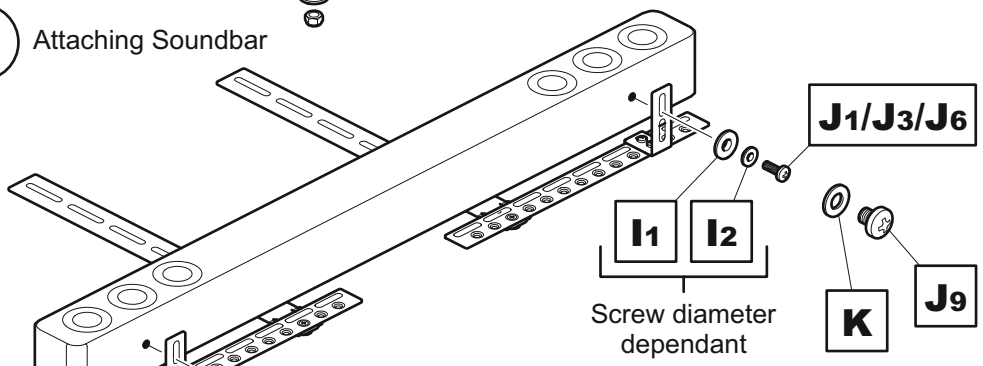
The brackets and the screws shown in grey are only an example. These are supplied by the TV wall mount manufacturer.

# 10 Screwing to the Bottom of the Soundbar

## i Attaching Shelf Brackets



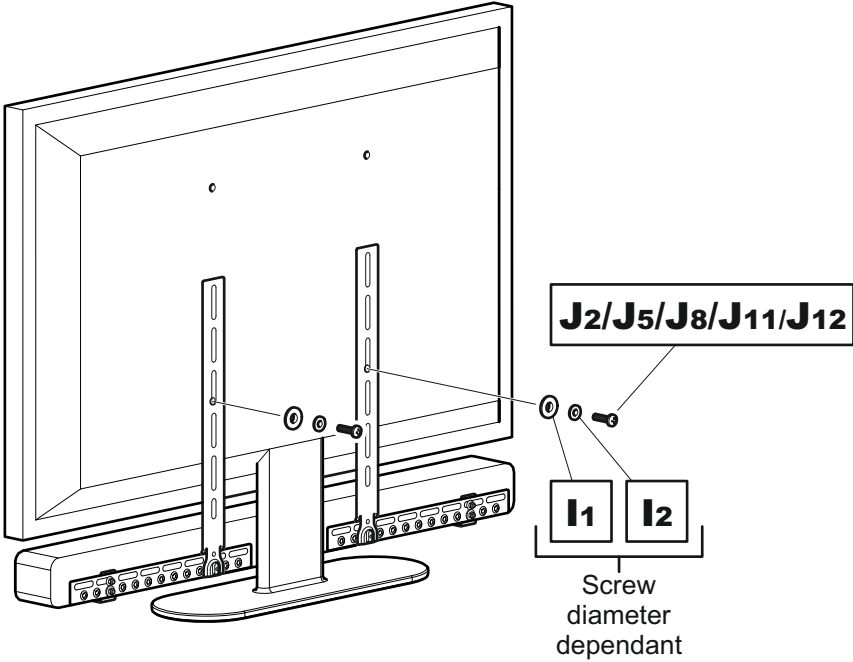
## ii Attaching Soundbar



Attach the brackets to the back of your TV using suitable screw and reducer combinations.

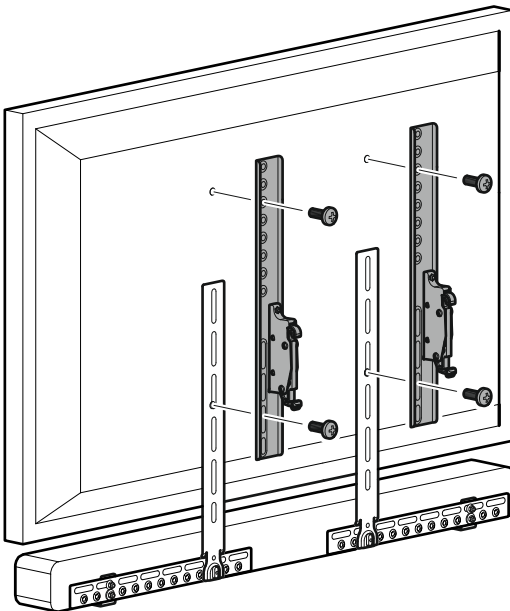
## Free Standing TV

If you are attaching your Soundbar to a free standing TV please use this step in conjunction with step 14



## Wall Mounted TV

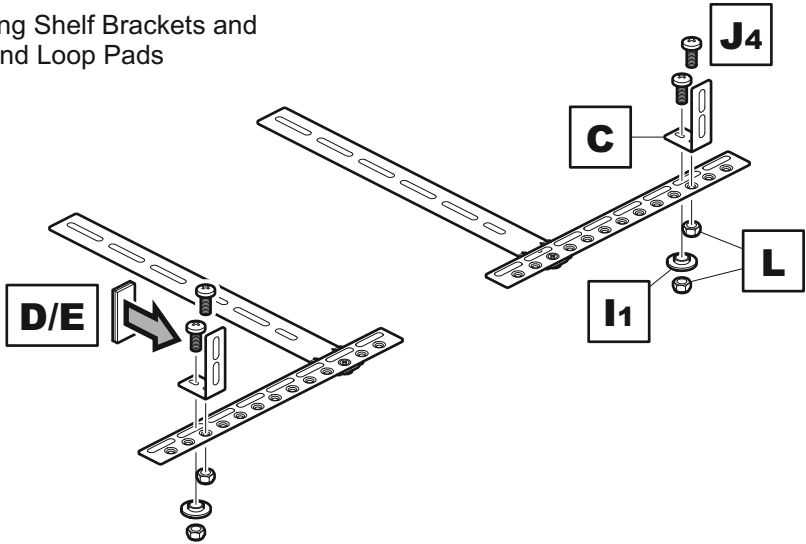
If you are attaching your Soundbar to a wall mounted TV please use this step in conjunction with the instructions provided with your TV wall mount.



The brackets and the screws shown in grey are only an example. These are supplied by the TV wall mount manufacturer.

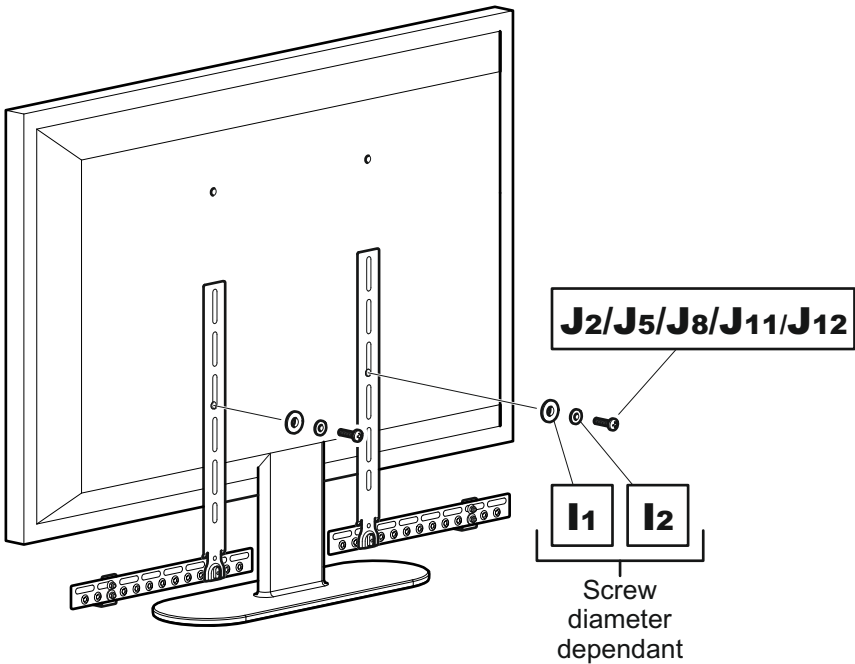
# 11 Attaching the Soundbar with Hook and Loop

**i** Attaching Shelf Brackets and Hook and Loop Pads



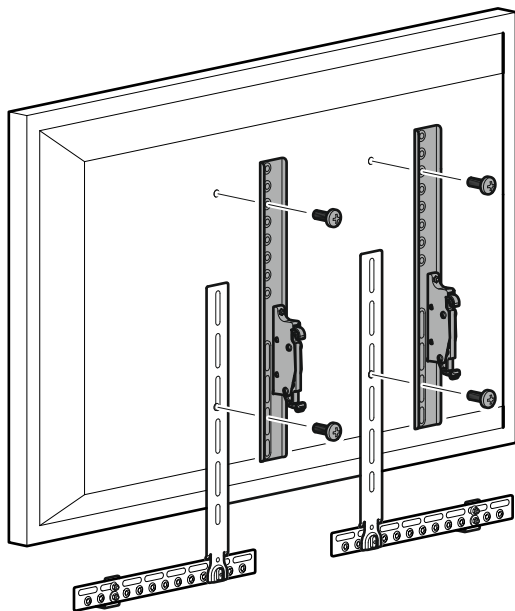
**Free Standing TV**

If you are attaching your Soundbar to a free standing TV please use this step in conjunction with step 14



## Wall Mounted TV

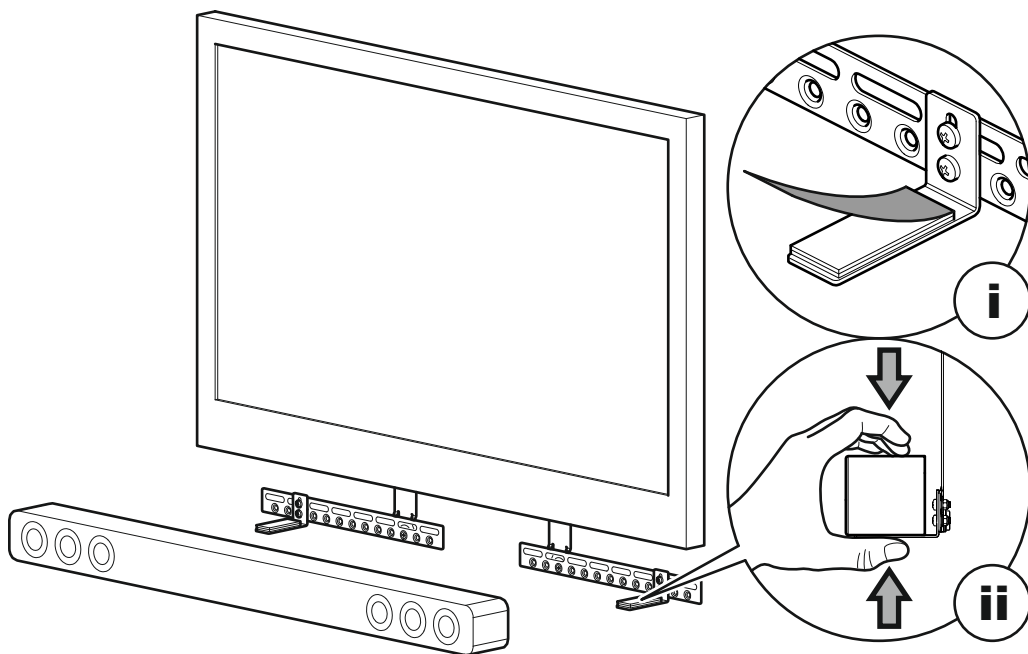
If you are attaching your Soundbar to a wall mounted TV please use this step in conjunction with the instructions provided with your TV wall mount.



The brackets and the screws shown in grey are only an example. These are supplied by the TV wall mount manufacturer.

## Free Standing TV or Wall Mounted TV

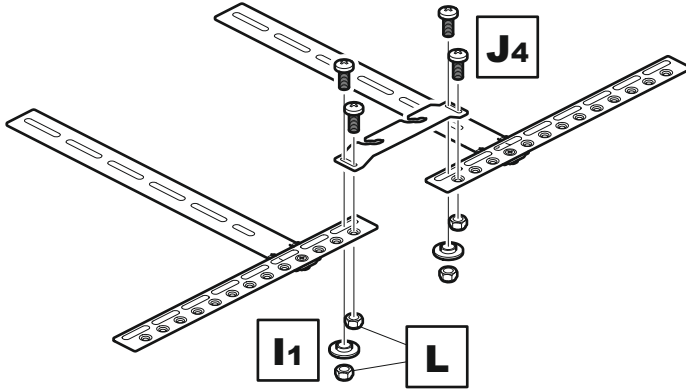
This step is for Free Standing or Wall Mounted TV



## 12 Attaching the Soundbar with Manufacturers Bracket

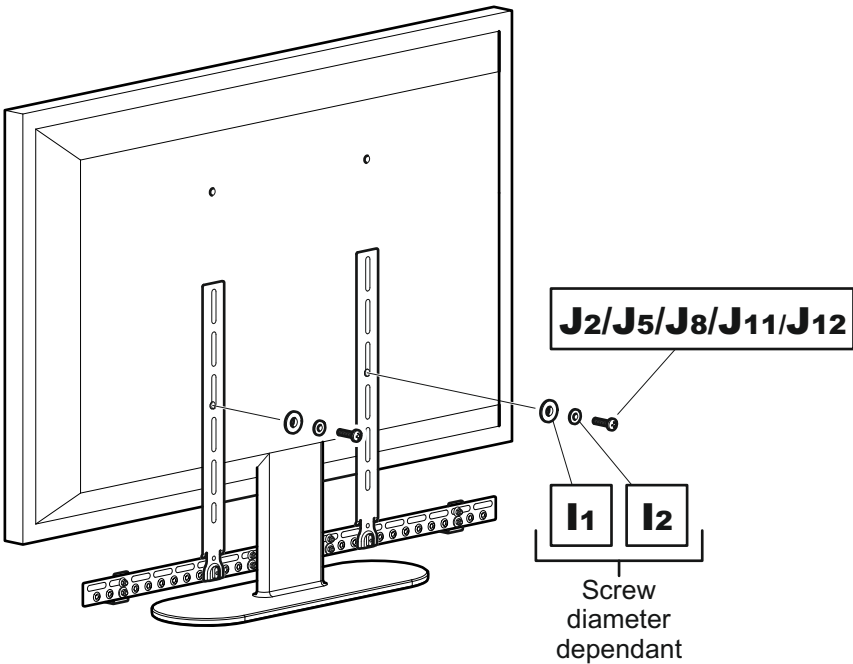


Attaching manufacturers bracket. Please note this bracket is not included. The image below shows an example of a bracket.



### Free Standing TV

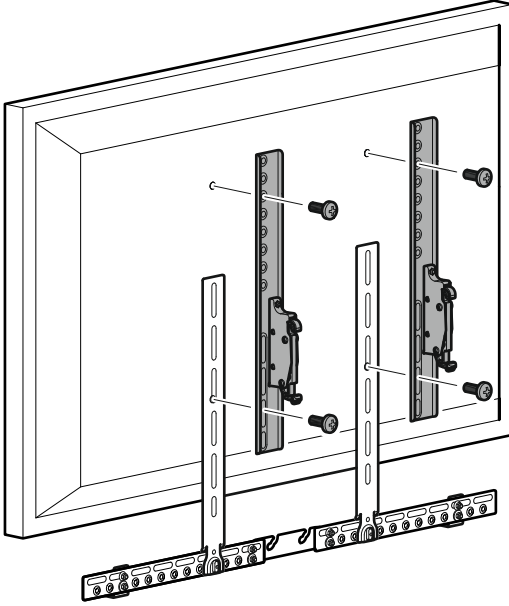
If you are attaching your Soundbar to a free standing TV please use this step in conjunction with step 14





## Wall Mounted TV

If you are attaching your Soundbar to a wall mounted TV please use this step in conjunction with the instructions provided with your TV wall mount.

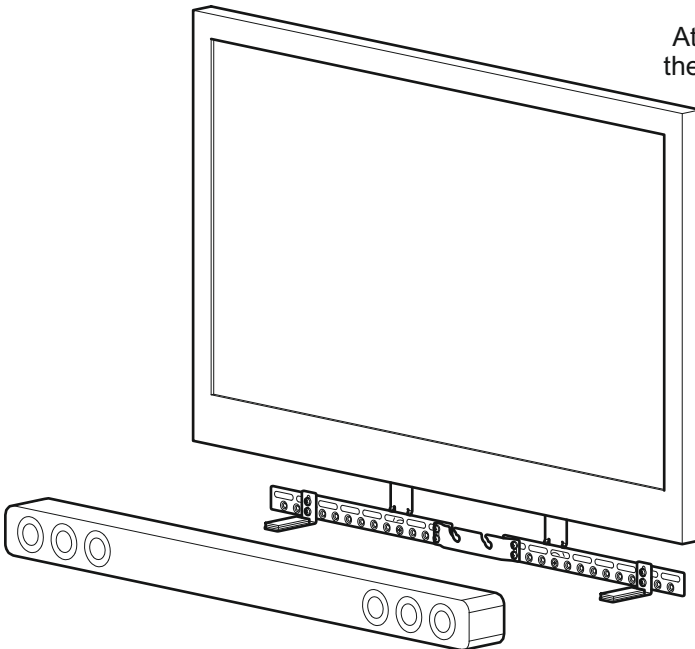


The brackets and the screws shown in grey are only an example. These are supplied by the TV wall mount manufacturer.

## Free Standing TV or Wall Mounted TV

This step is for Free Standing or Wall Mounted TV

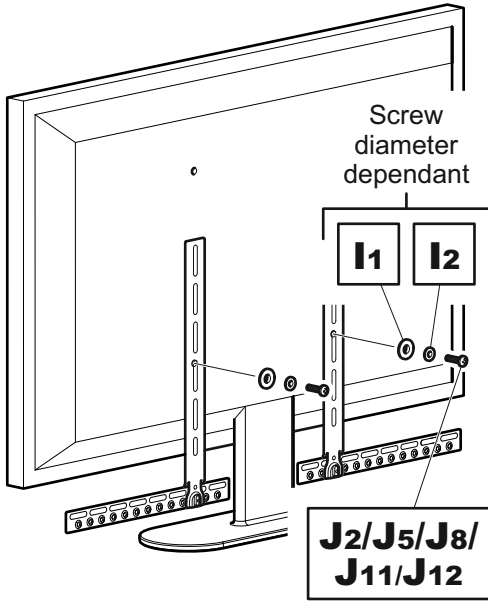
Attach your Soundbar as per the manufacturers instructions



# 13 Attaching to Soundbar with Keyhole Pin

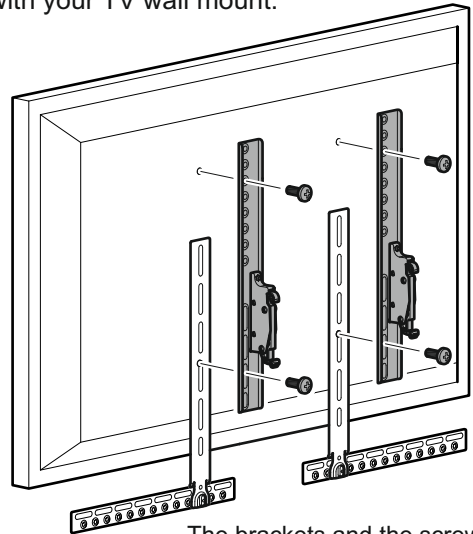
## Free Standing TV

If you are attaching your Soundbar to a free standing TV please use this step in conjunction with step 14



## Wall Mounted TV

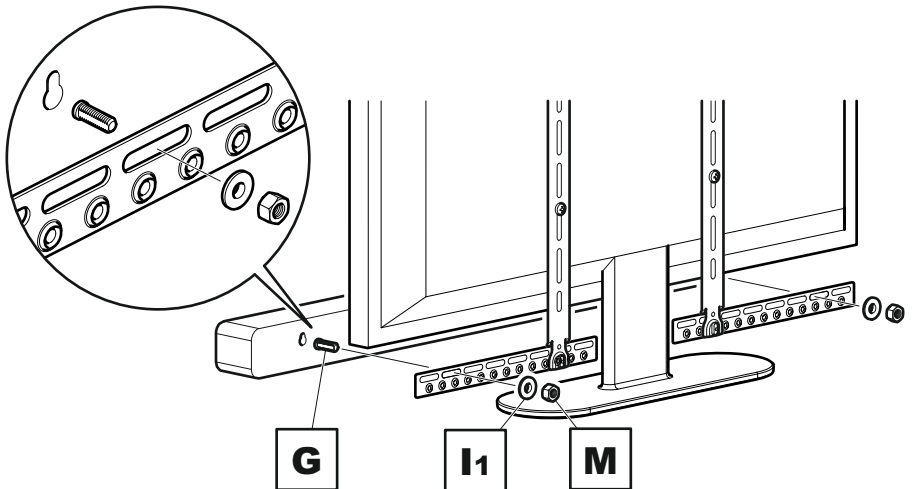
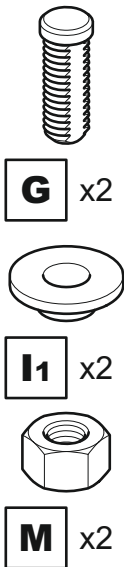
If you are attaching your Soundbar to a wall mounted TV please use this step in conjunction with the instructions provided with your TV wall mount.



The brackets and the screws shown in grey are only an example. These are supplied by the TV wall mount manufacturer.

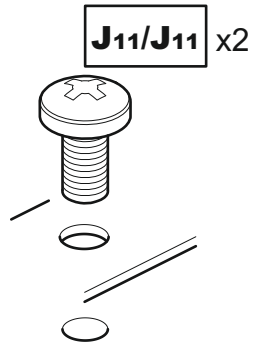
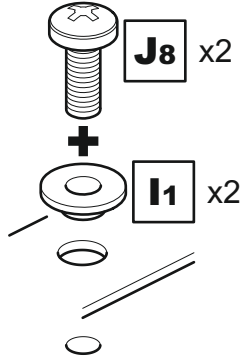
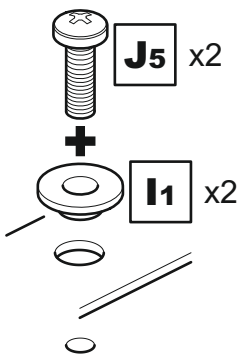
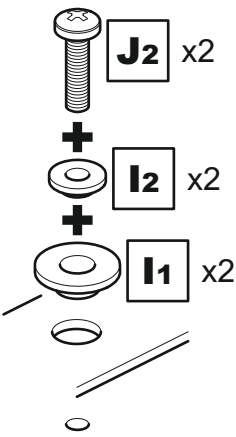
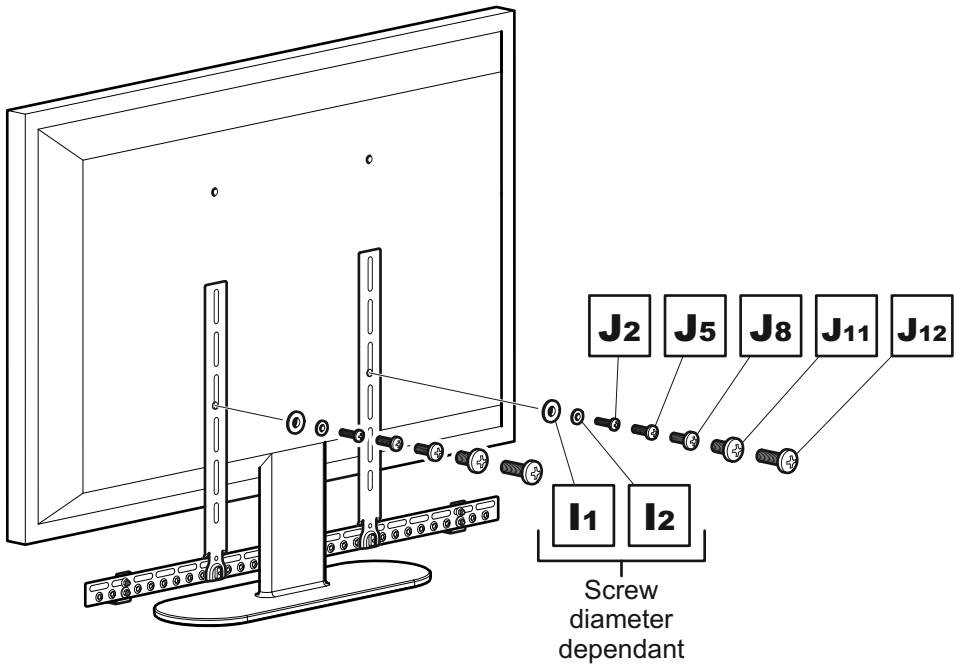
## Free Standing TV or Wall Mounted TV

This step is for Free Standing or Wall Mounted TV



# 14 Attaching Soundbar Bracket to TV

You will only need to use this step if you are attaching your Soundbar to a free standing TV



Attach the brackets to the back of your TV using suitable screw and reducer combinations.