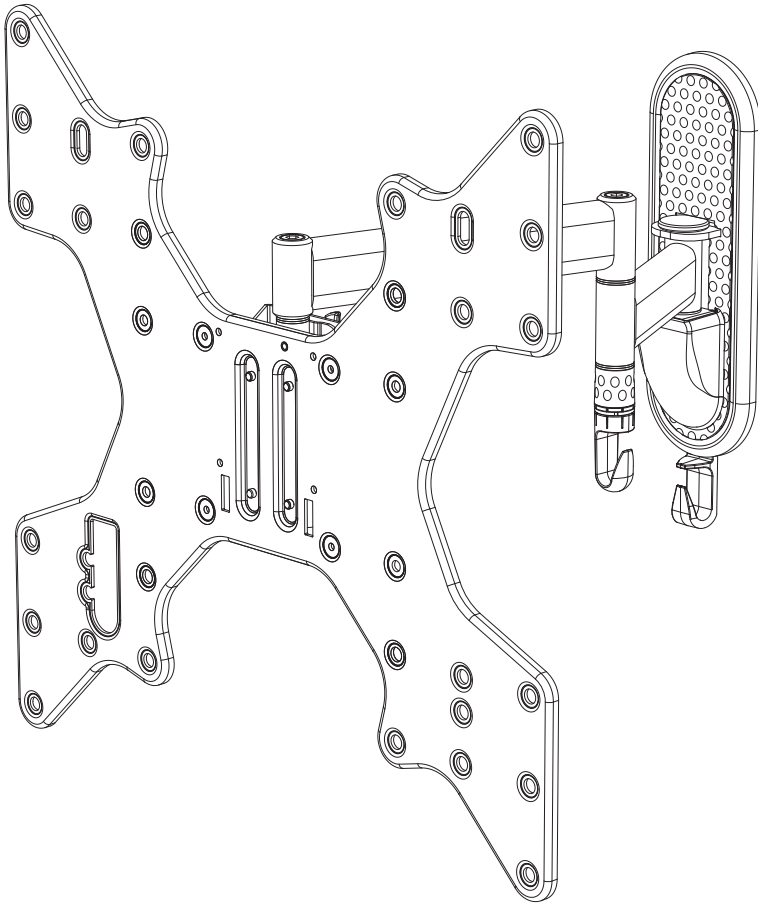


JZL4704

Leaflet No. **463450** rev00



Read through **ALL** instructions before commencing installation. If you have any questions about this product or issues with installation contact the customer services helpline before returning this product to the store. See jl.avfgroup.com/p/jzl4704 for more information.

CUSTOMER SERVICES HELP LINE NUMBER:

01952 670009

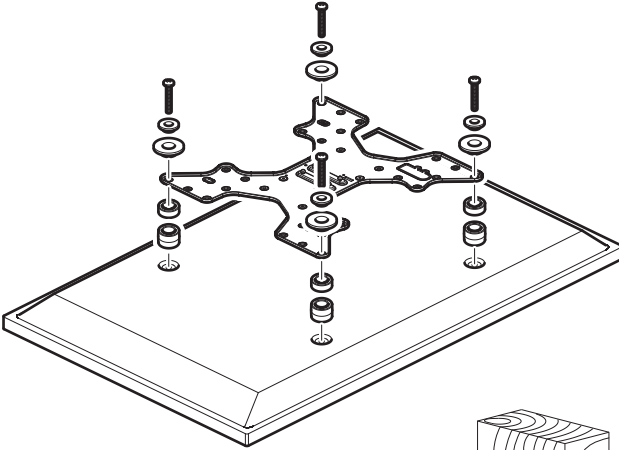
0870 0609777



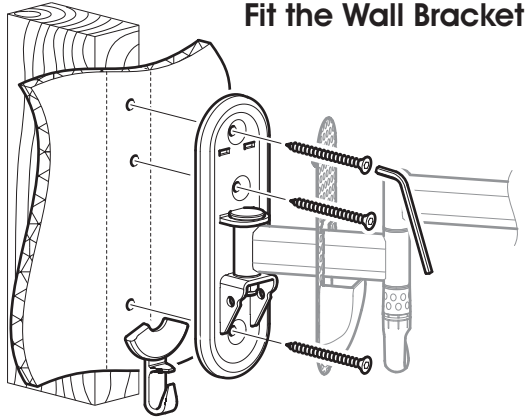
AVF Group Ltd. Road 30. Hortonwood Ind Est, Telford, Shropshire, TF1 7YE, England

Assembly Overview

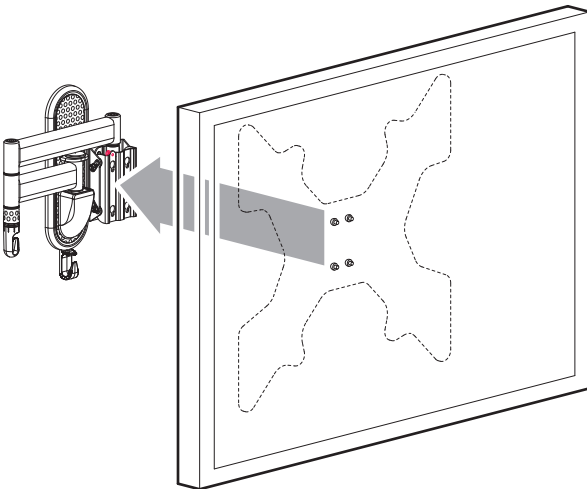
Fit the Mounting Plate



Fit the Wall Bracket



Connect the TV



Index

1 Measure the TV fixing holes Width and Height

2 Preparing the Wall Bracket

3 Choose the TV Mounting Plate

4 Fitting the TV Mounting Plate

5 Fitting the Wall Bracket

6 Attach the TV

7 TV Locking, Levelling and Cable Management

Retain all packaging in case the bracket needs to be returned.

Contents may vary from photography/ Illustrations.

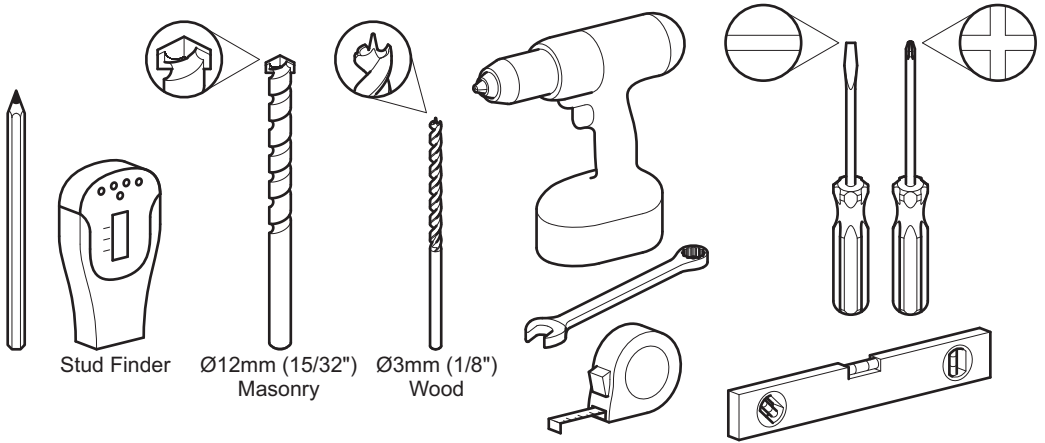
You will not need all these parts, so expect there to be some left over depending upon the specification of your TV.

This product is intended for indoor use only. Use of this product outdoors could lead to failure and personal injury.

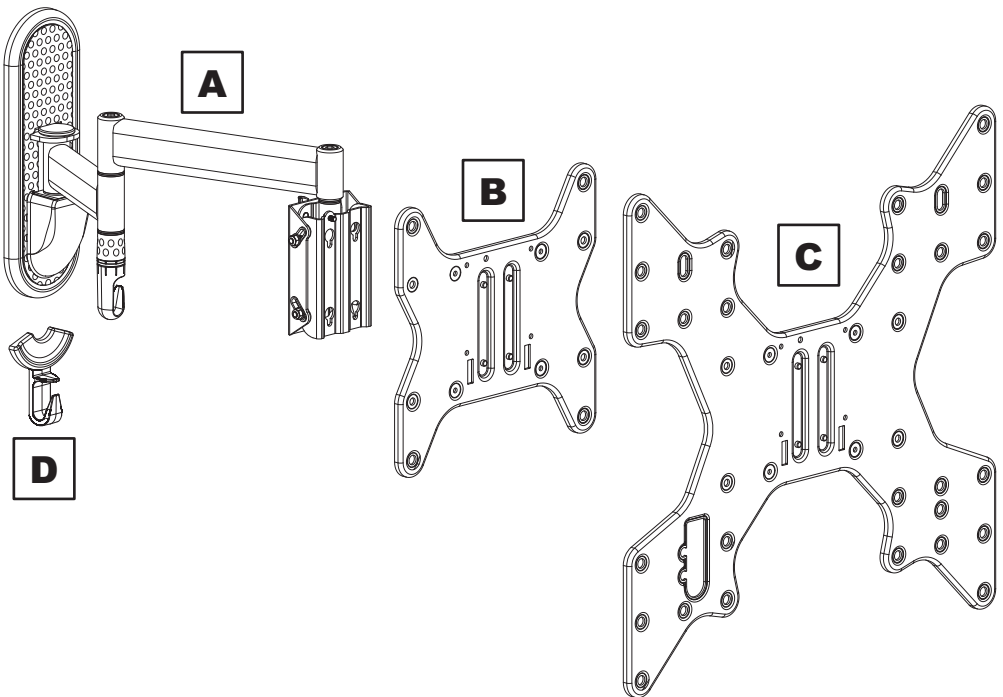
It is the responsibility of the installer to ensure that the mounting wall is of a suitable standard and void of any services (eg gas, electricity, water etc).

AVF accept no responsibility for any damage or loss caused by installing this product in a sub standard wall.

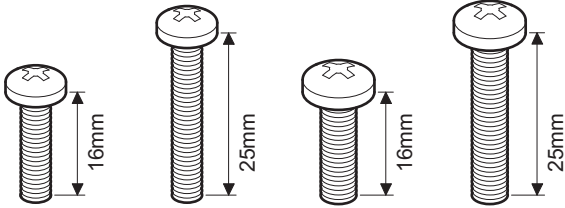
Tools Recommended



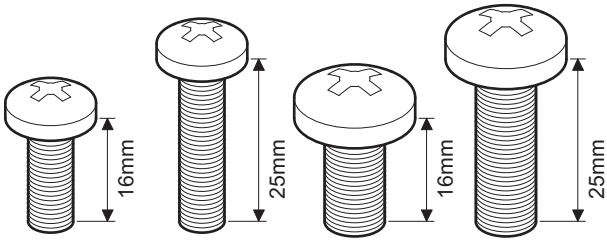
Boxed Parts



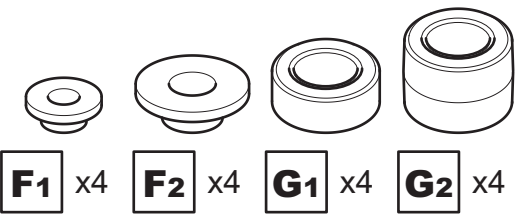
TV Screws, Reducers and Spacers



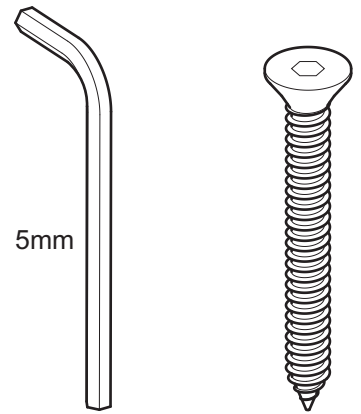
M4 **E1** x4 M4 **E2** x4 M5 **E3** x4 M5 **E4** x4



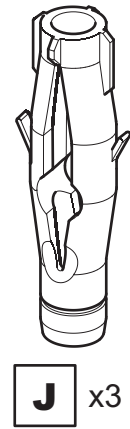
M6 **E5** x4 M6 **E6** x4 M8 **E7** x4 M8 **E8** x4



F1 x4 **F2** x4 **G1** x4 **G2** x4

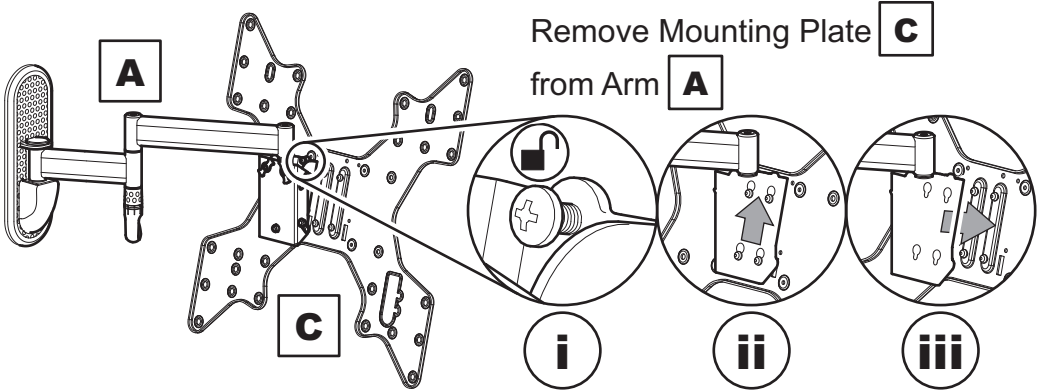


5mm **H** x1 **I** x3

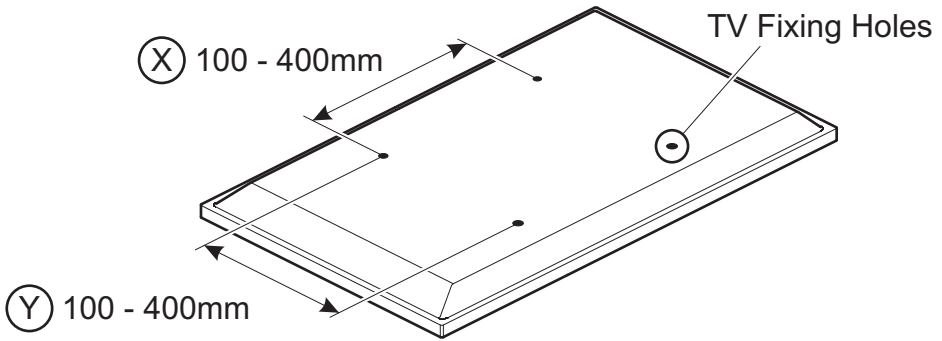


J x3

Before you begin

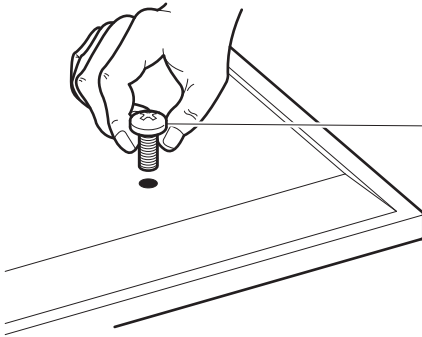


1 Measure the TV fixing holes Width and Height



If your TV holes do not line up STOP installation now and contact the customer help line

You are provided with 4 diameters of TV fixing screws, **M4**, **M5**, **M6** and **M8**. Determine the screw diameter that fits and remember for step 3.



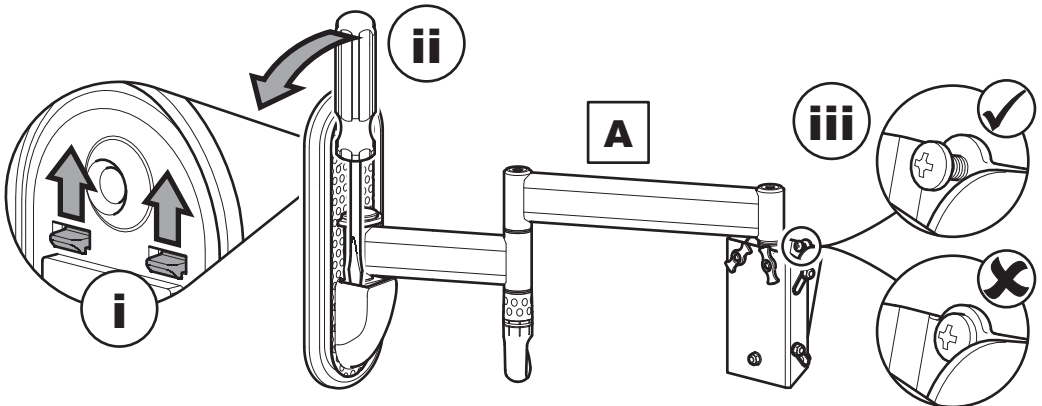
M4 = E1-E2

M5 = E3-E4

M6 = E5-E6

M8 = E7-E8

2 Preparing the Wall Bracket



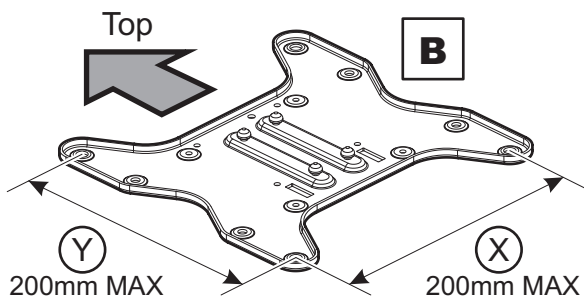
3 Choose the TV Mounting Plate

Use the option that fits your TV

OPTION 1

(X) = 100mm - 200mm

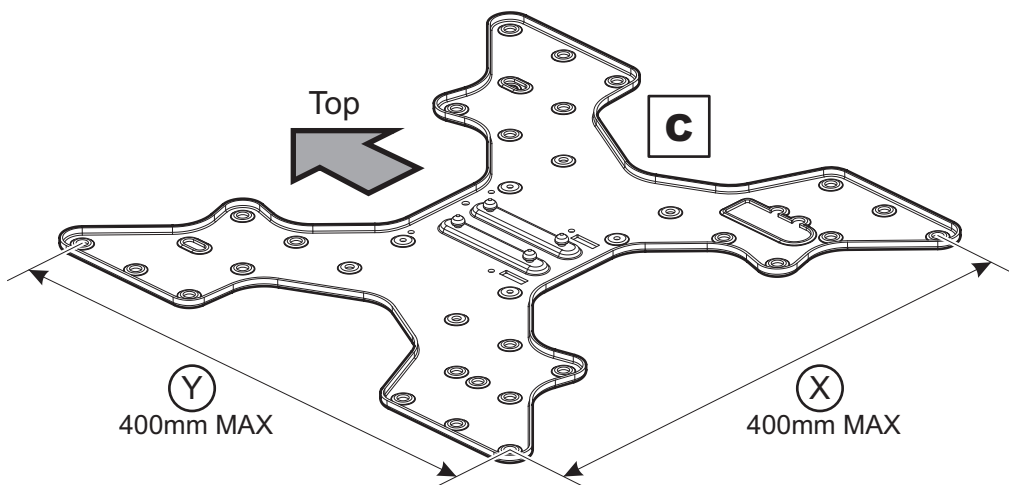
(Y) = 100mm - 200mm



OPTION 2

(X) = 200mm - 400mm

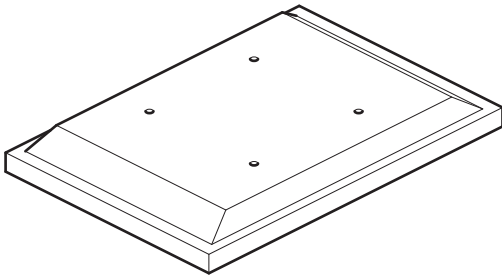
(Y) = 200mm - 400mm



4 Fitting the TV Mounting Plate

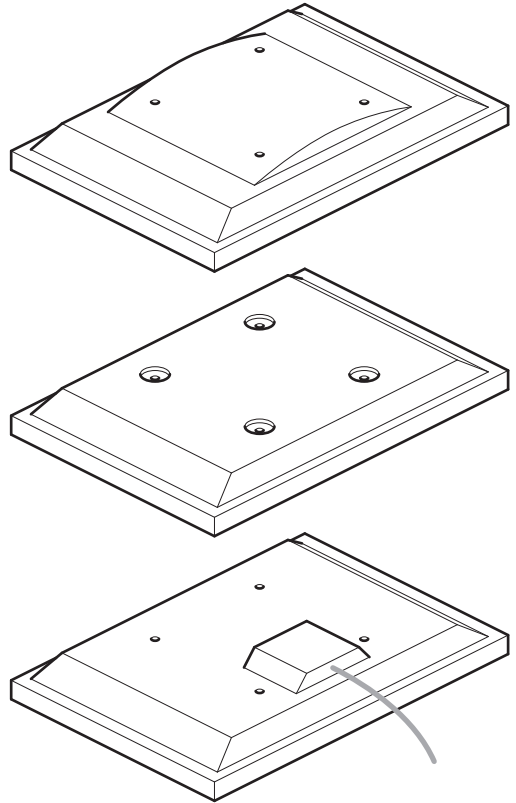
No Spacers

For TVs with flat/unobstructed back

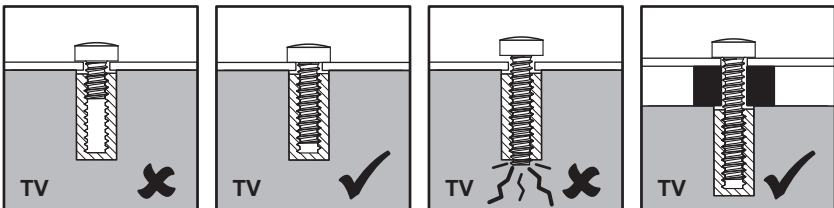


Spacers **G1-G2**

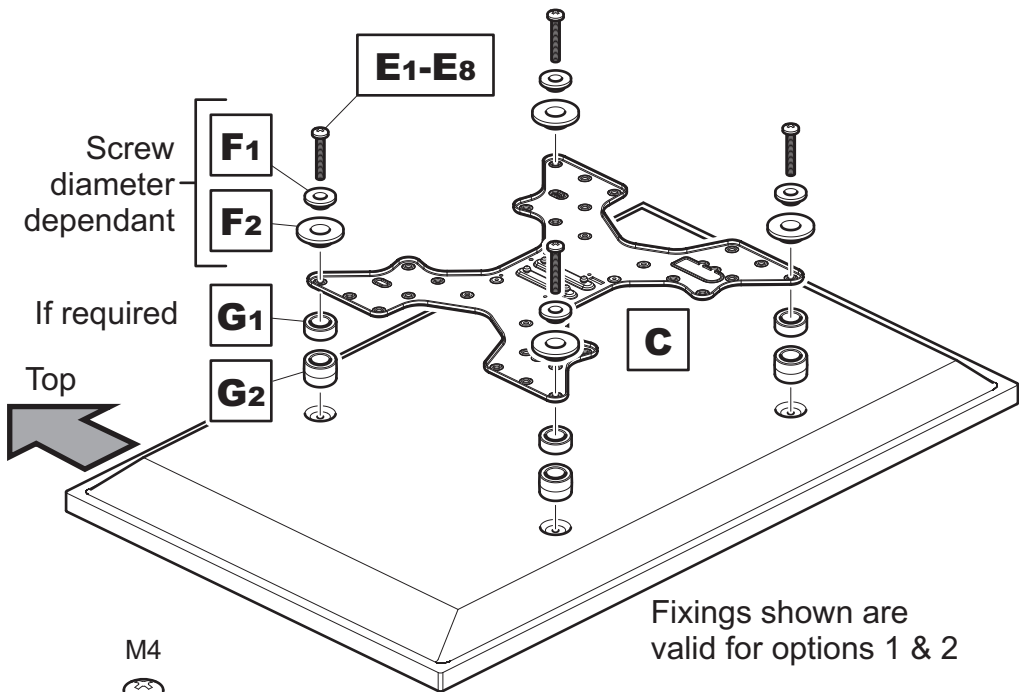
For TVs with irregular/obstructed back



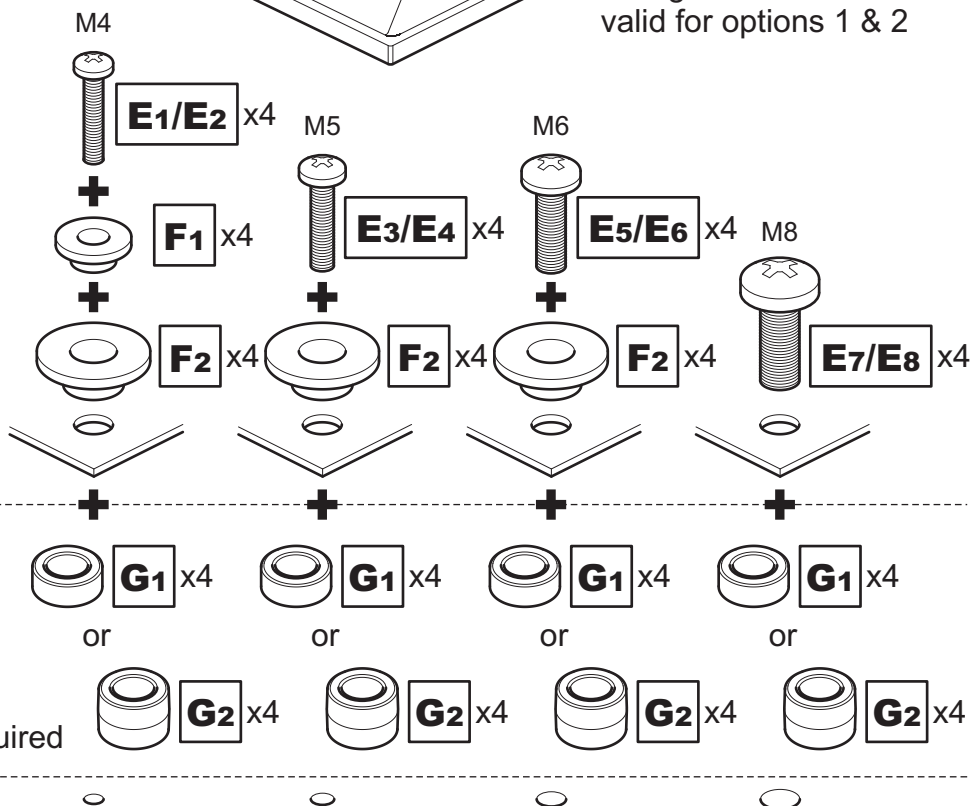
WARNING



After completing step 4 you will have fittings left over, please keep for future reference



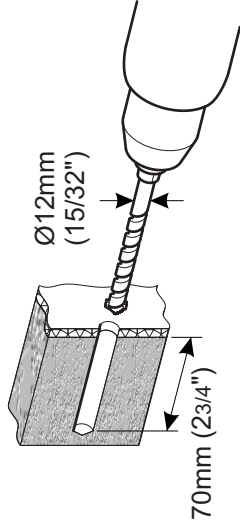
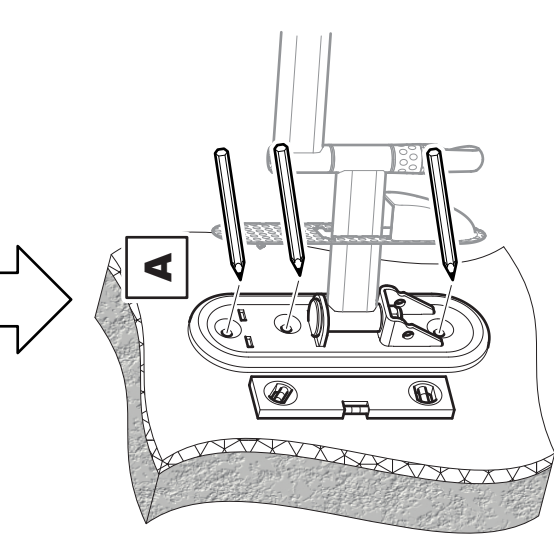
Fixings shown are valid for options 1 & 2



Attach the brackets to the back of your TV using suitable screw, reducer and spacer combinations.

5 Fitting the Wall Bracket

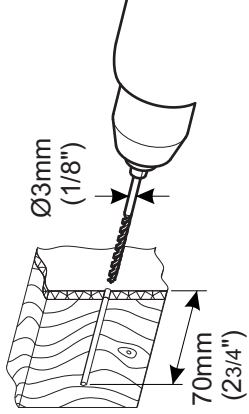
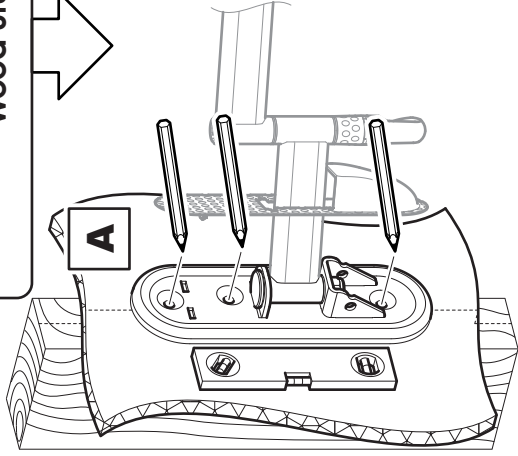
Solid Wall



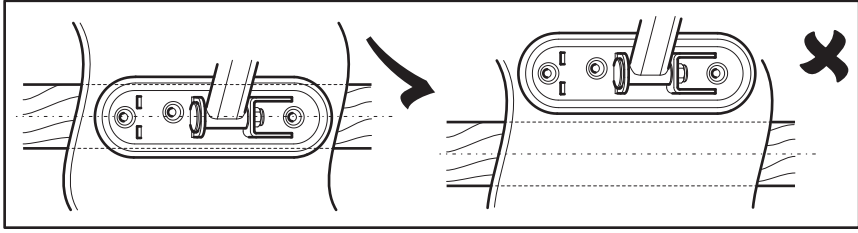
Remove dust from hole

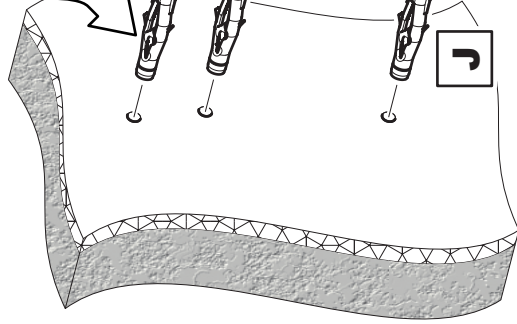
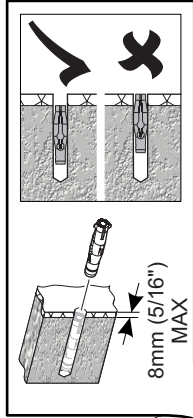
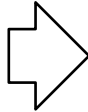


Wood Stud



Ensure bracket is in the centre of the wood stud





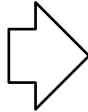
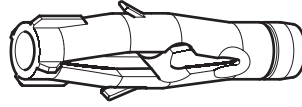
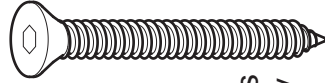
Lubricate screw
thread with soap



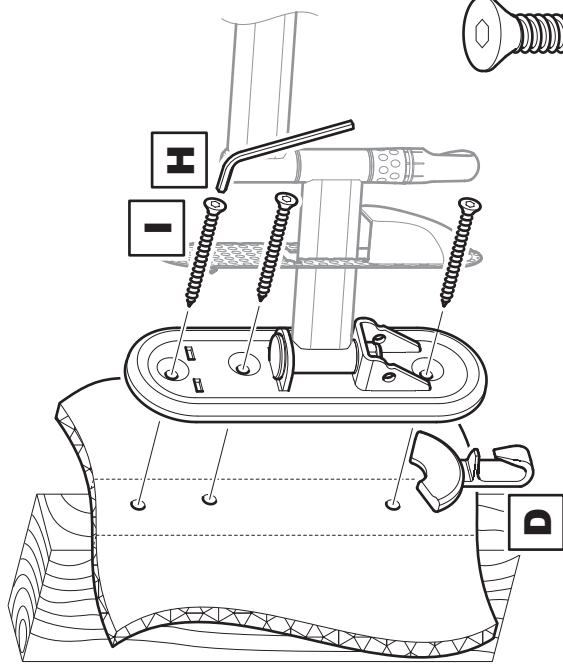
DO NOT over tighten screws
Tighten screws by hand only

I x3

J x3



Lubricate screw
thread with soap



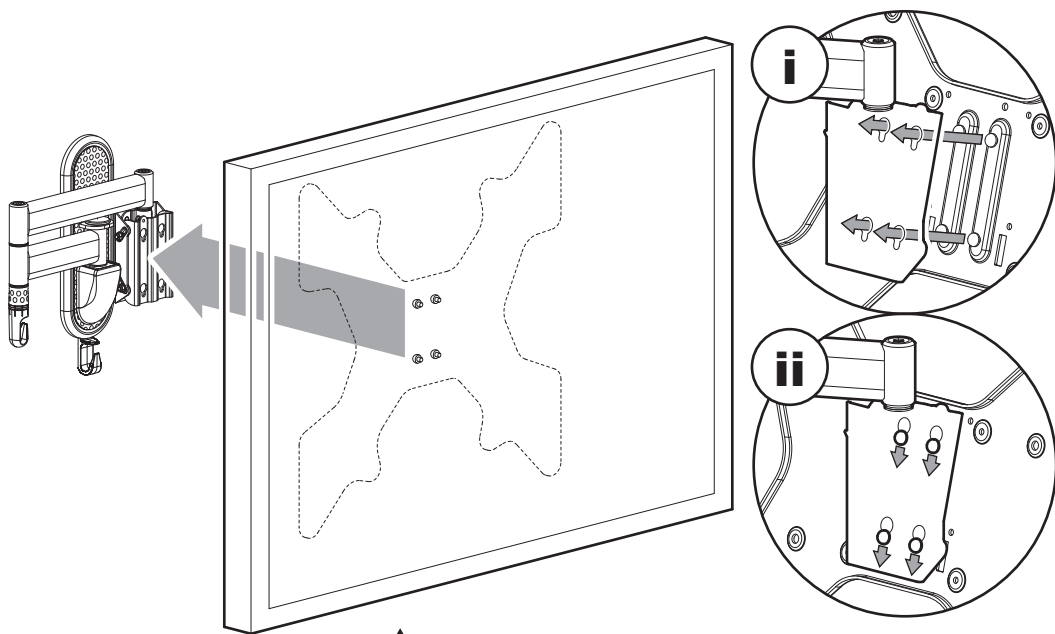
I x3



DO NOT over tighten screws
Tighten screws by hand only

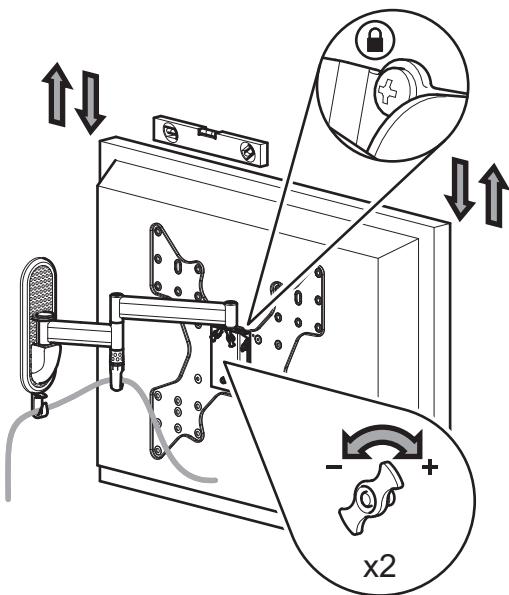
I x3

6 Attach the TV



Check all fittings are tight

7 TV Locking, Levelling and Cable Management



Optional

Lock Tilt

